

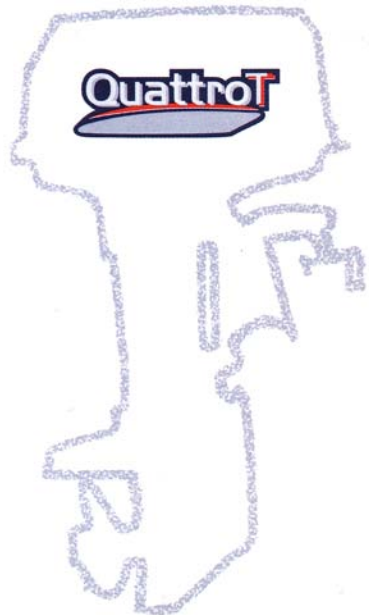
# RAY 8

*Production year 2010*

*Production année 2010*

## **PARTS CATALOGUE**

## **CATALOGUE DE PIÈCES DÉTACHÉES**



ENGINE STARTING SERIAL NUMBER: S/L 1024441



A1

# FOREWORD

This Parts Catalogue is related to the parts for the model(s) on the cover page. When you are ordering replacement parts, please refer to this Parts Catalogue and quote both part numbers and part names correctly.

1. Modifications or additions which have been made after the issue of the Parts Catalogue will be announced in the Parts News.  
It is advisable that you make the necessary corrections to the Parts Catalogue according to the Parts News.

2. Abbreviations  
The following abbreviations are used in this Parts Catalogue.

“UR” Use specified parts number.  
 “UN” Use as many as needed.  
 “AP” Alternate Parts  
 “LM” Locally Made (Parts need to be ordered locally)  
 “F#” Frame No. (Applicable machine No.)  
 “O/S” Over Size

3. The number of components for assembly
  - Parts, which are to be supplied in an assembly, are listed with a dot (.) in front of the part name as shown below.
  - The numeral appearing to the right of each component part indicates the quantity of parts for each assembly unit.

PART NO.	DESCRIPTION	Q'TY	REMARKS
2F5-83310-60	FRONT FLASHER LIGHT ASSY	2	
115-83311-60	.BULB (6V-18W)	1	

4. Applicable colours of graphics are represented in the “REMARKS” as shown below.

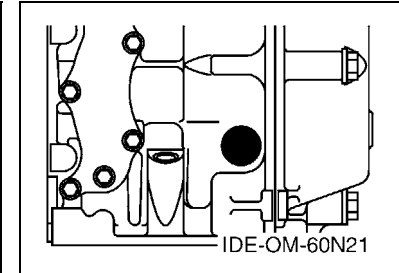
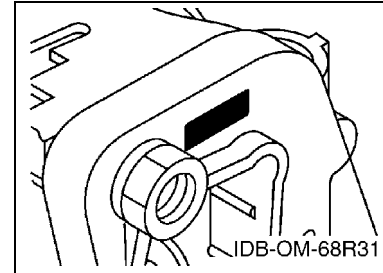
PART NO.	DESCRIPTION	Q'TY	REMARKS
2N4-24110-00-X5	FUEL TANK COMP.	2	MXR
3J1-24240-10	.GRAPHIC, FUEL TANK	1	FOR MXR

5. Note that the illustrations for reference in finding parts numbers are not to be used for assembling. When assembling, please use the applicable service manual.

6. The asterisk (\*) before a reference number indicates modified items after the first edition.

7. Applicable Serial No.

Engine Serial No.



8. Applicable Engine Starting Serial No.

Model	Serial No.	Model	Serial No.
F8C	60R-1024441		

9. Applicable Colour Code

Abbreviation	Colour Name	Colour Code
DBNM2	DARK BLUISH GRAY METALLIC 2	004D

10. Quantity Column Information

Column No.	Name Of Q'ty Column	Applicable Model
1	60R6	F8CMH

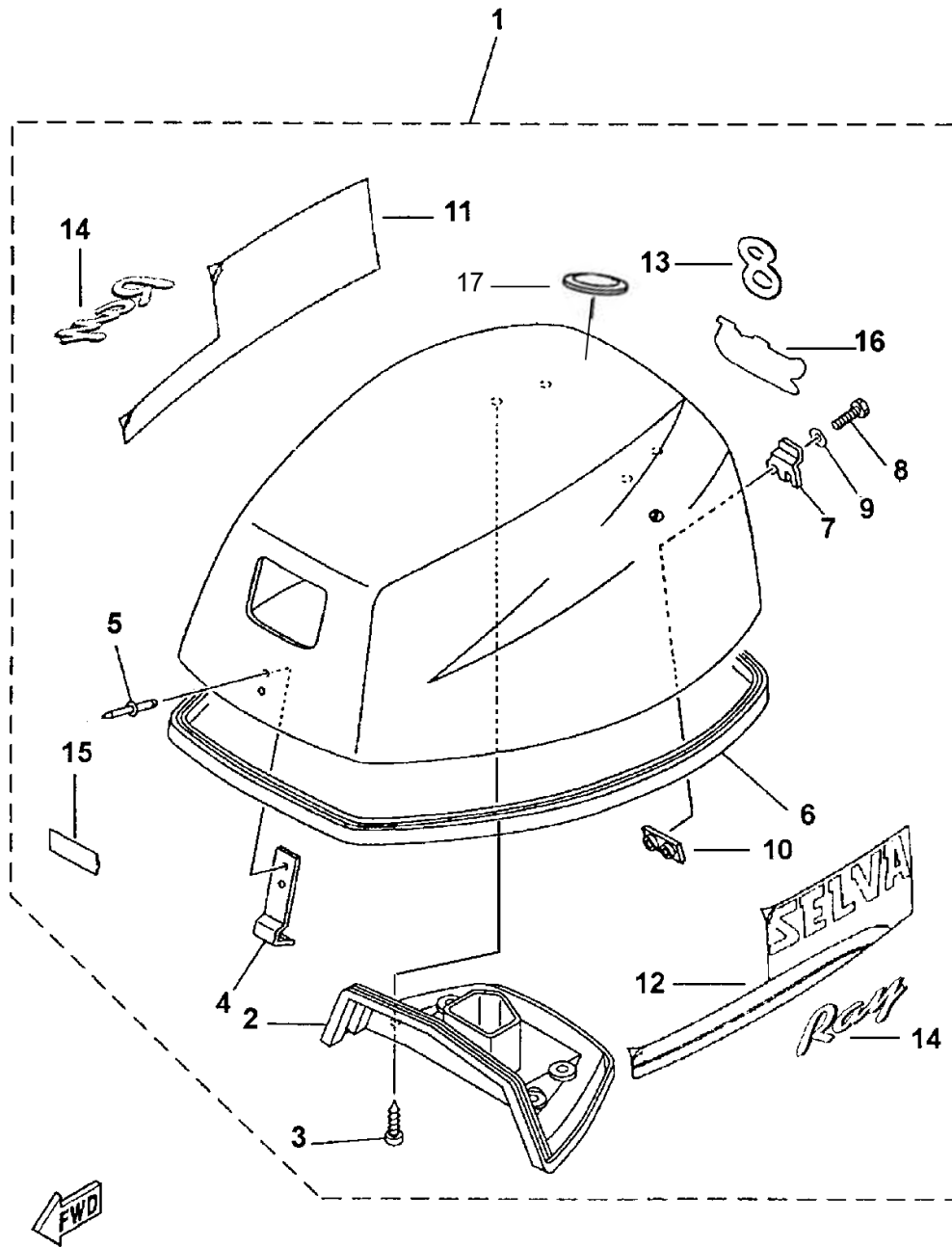
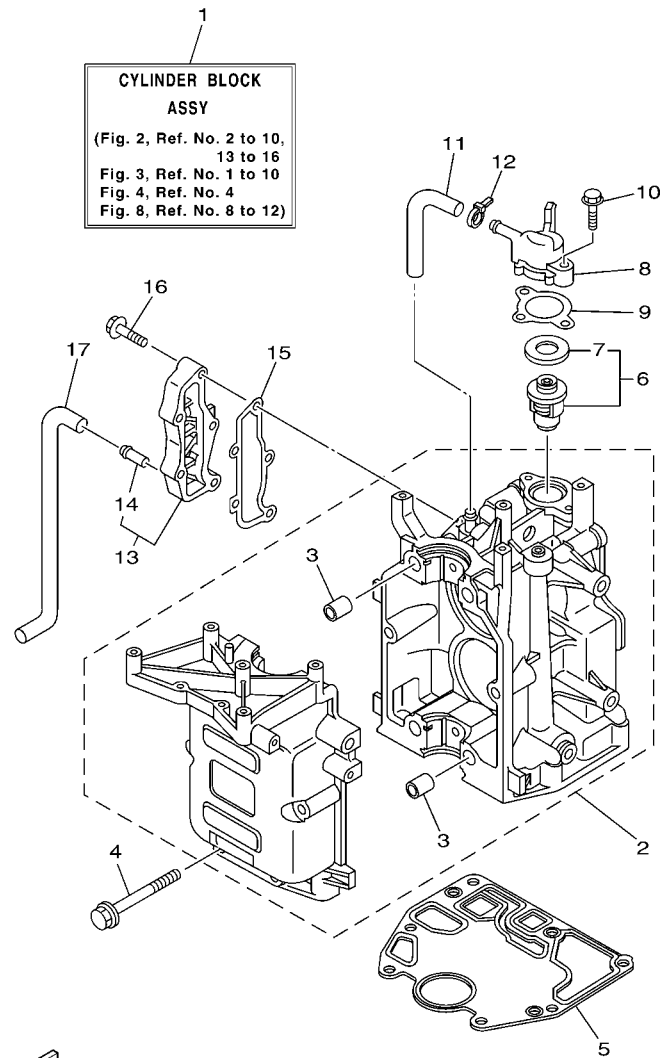


FIG. 1 TOP COWLING

CAPOT SUPERIEUR

REF. NO.	PART NO. N° PIECES	DESCRIPTION DESCRIPTION	60N2	60P2	Ray 8	REMARKS REMARQUES
1	1504742	TOP COWLING ASSY CAPOT (ENS.)			1	
2	60R-G2613-00	.MOLDING, AIR DUCT .MANCHON A AIR	1	1	1	
3	97780-60516	.SCREW, TAPPING .VIS, TETE BOMBEE	4	4	4	
4	6G1-42651-02	.HOOK .CROCHET	1	1	1	
5	90266-04M04	.RIVET .RIVET	2	2	2	
6	60R-42615-00	.SEAL .JOINT	1	1	1	
7	60R-42652-00	.HOOK .CROCHET	1	1	1	
8	97095-05014	.BOLT .BOULON	2	2	2	
9	92995-05600	.WASHER .RONDELLE	2	2	2	
10	68T-42649-00	.HOLDER, CLAMP BAND .SUPPORT, SANDOW DE SERRAGE	1	1	1	
11	8093285	.GRAPHIC, LEFT .ADHESIF, GAUCHE	1	1	1	
12	8093290	.GRAPHIC, RIGHT .ADHESIF, DROITE			1	
13	8093100	.GRAPHIC, 8 .ADHESIF, 8	1	1	1	
14	8092762	.GRAPHIC, RAY .ADHESIF, RAY	1	1	2	
15	8092605	.GRAPHIC, SELVA MARINE .ADHESIF, SELVA MARINE			1	
16	8093050	GRAFIC, QUATTRO T ADHESIF, QUATTRO T	1	1	1	
17	8093035	.GRAPHIC, SELVA MARINE EUROPE .ADHESIF, SELVA MARINE EUROPE			1	
	1534305	.GRAPHIC SET .JEU DIEMBLEMES	1	1	1	

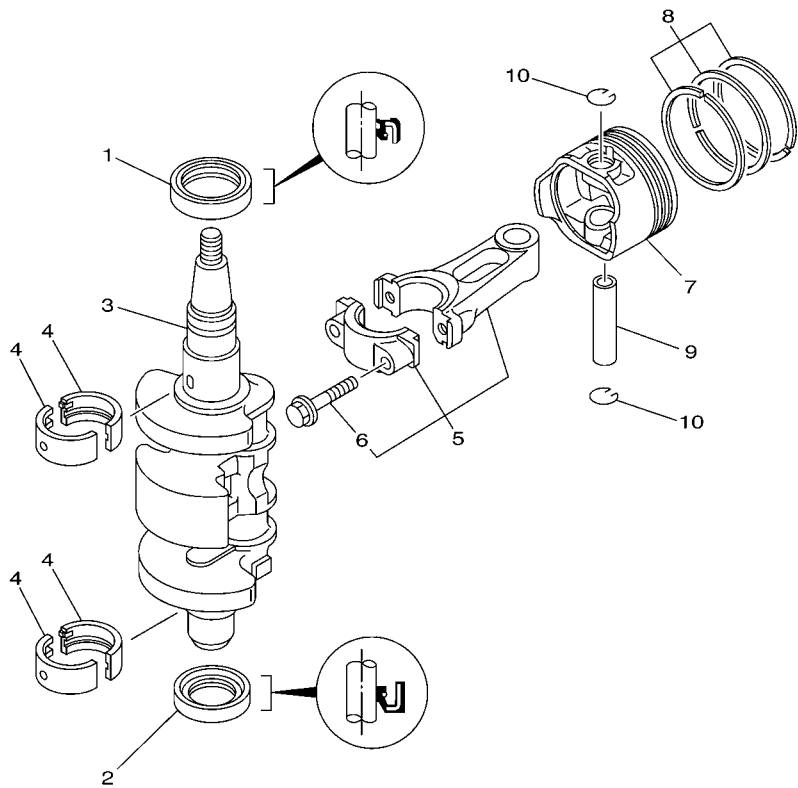


60N2300-E020

FIG. 2 CYLINDER & CRANKCASE 1 CYLINDRE & CARTER 1

REF. NO.	PART NO. N° PIECES	DESCRIPTION DESCRIPTION	60R6				REMARKS REMARQUES
1	60R-WE09B-00-1S	CYLINDER BLOCK ASSY CYLINDRE GROUPE (ENS.)	1				
2	60R-E5100-00-1S	CRANKCASE ASSY CARTER DE MOTEUR COMPLET	1				
3	91812-12001	.PIN, DOWEL .GOUJON, D'ASSEMBLAGE	4				
4	90119-08M29	BOLT, WITH WASHER BOULON, AVEC RONDELLE	6				
5	68T-11351-00	GASKET, CYLINDER JOINT, D'EMBASE	1				
6	66M-12411-01	THERMOSTAT THERMOSTAT	1				
7	688-12412-00	.SEAL, THERMOSTAT .JOINT, THERMOSTAT	1				
8	68T-12413-00-1S	COVER, THERMOSTAT COUVERCLE, THERMOSTAT	1				
9	60R-E2414-A0	GASKET, COVER JOINT, COUVERCLE	1				
10	90119-06MA2	BOLT, WITH WASHER BOULON, AVEC RONDELLE	2				
11	60R-E2481-00	PIPE 1 DURITE 1	1				
12	90465-11M10	CLAMP BRIDE	1				
13	60R-G1113-00-1S	OUTER COVER, EXHAUST COUVERCLE, ECHAPPEMENT	1				
14	6E9-24378-00	.PIPE, JOINT 3 .DURITE RACCORDEMENT 3	1				
15	68T-41114-A0	GASKET, EXHAUST OUTER COVER JOINT, COUVERCLE D'ECHAPPEMENT	1				
16	90119-06MA3	BOLT, WITH WASHER BOULON, AVEC RONDELLE	5				
17	60R-E2482-00	PIPE 2 DURITE 2	1				

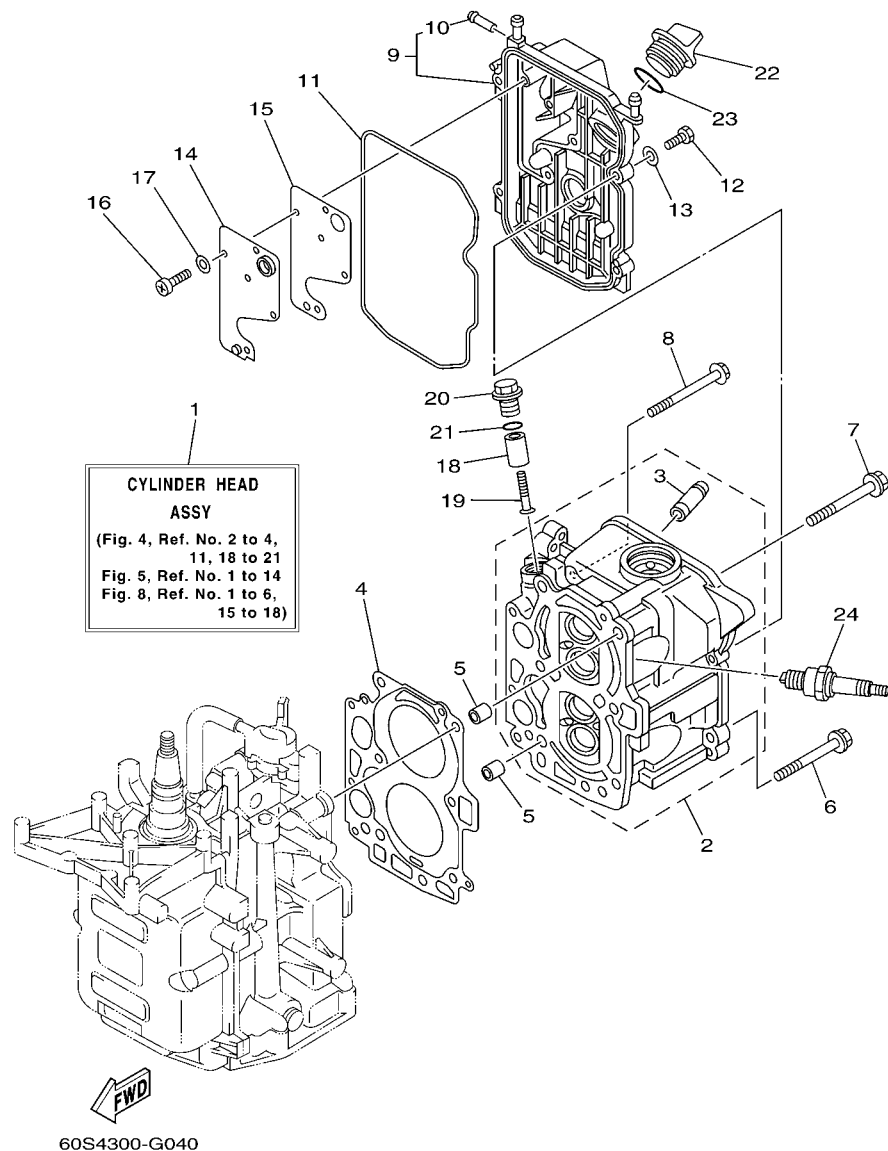
**FIG. 3 CRANKSHAFT & PISTON VILEBREQUIN & PISTON**



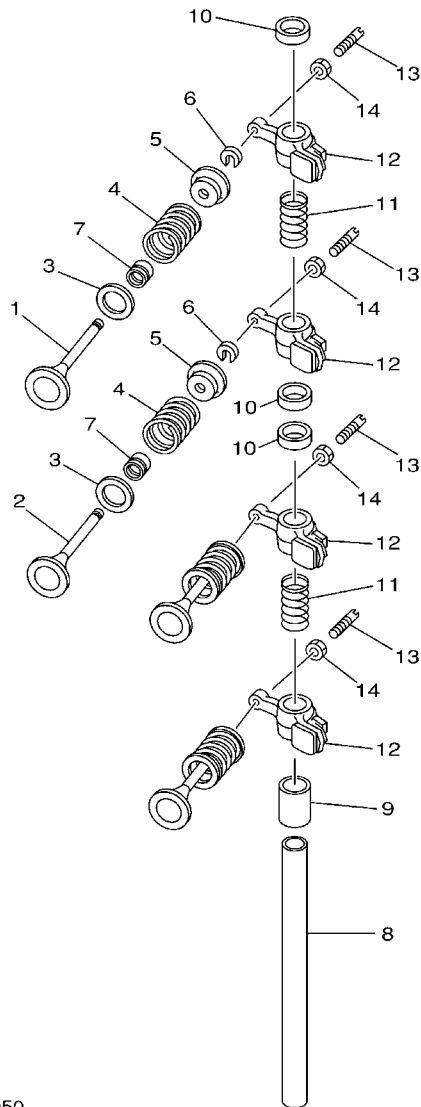
68R0010-0031

REF. NO.	PART NO. N° PIECES	DESCRIPTION DESCRIPTION	60R6				REMARKS REMARQUES
1	93102-30M22	OIL SEAL JOINT SPY	1				
2	93101-25M69	OIL SEAL JOINT SPY	1				
3	60R-E1411-00	CRANKSHAFT VILEBREQUIN COMPLET	1				
4	68T-11416-00	PLANE BEARING, CRANKSHAFT 1 COUSSINET DE VILEBREQUIN 1	4				UR BROWN UR BROWN
	68T-11416-10	PLANE BEARING, CRANKSHAFT 1 COUSSINET DE VILEBREQUIN 1	4				UR BLACK UR BLACK
	68T-11416-20	PLANE BEARING, CRANKSHAFT 1 COUSSINET DE VILEBREQUIN 1	4				UR BLUE UR BLUE
5	68T-11650-00	CONNECTING ROD ASSY BIELLE COMPLETE	2				
6	67D-11654-00	.BOLT, CONNECTING ROD .BOULON, BIELLE	2				
7	60R-E1631-00-96	PISTON (STD) PISTON (STD)	2				
	60R-E1635-00	PISTON (0.25MM O/S) PISTON (0.25MM O/S)	2				AP AP
	60R-E1636-00	PISTON (0.50MM O/S) PISTON (0.50MM O/S)	2				AP AP
8	60R-E1603-00	PISTON RING SET (STD) JEU DE SEGMENTS (STD)	2				
	60R-E1604-00	PISTON RING SET (0.25MM O/S) JEU DE SEGMENTS (0.25MM O/S)	2				AP AP
	60R-E1605-00	PISTON RING SET (0.50MM O/S) JEU DE SEGMENTS (0.50MM O/S)	2				AP AP
9	60R-E1633-00	PIN, PISTON AXE, PISTON	2				
10	93450-15023	CIRCLIP CIRCLIP, TYPE S	4				

FIG. 4 CYLINDER & CRANKCASE 2 CYLINDRE & CARTER 2



REF. NO.	PART NO. N° PIECES	DESCRIPTION DESCRIPTION	60R6				REMARKS REMARQUES
1	60R-WE09A-01-1S	CYLINDER HEAD ASSY CULASSE (ENS.)	1				
2	60R-E1111-00-1S	HEAD, CYLINDER 1 CULASSE	1				
3	67D-11133-10	.GUIDE, VALVE 1 .GUIDE, SOUPAPE 1	4				
4	68T-11181-00	GASKET, CYLINDER HEAD 1 JOINT, DE CULASSE 1	1				
5	99510-10114	PIN, DOWEL GOUJON, D'ASSEMBLAGE	2				
6	90105-08M36	BOLT, FLANGE BOULON	2				
7	90105-08M78	BOLT, FLANGE BOULON	4				
8	90119-06049	BOLT, WITH WASHER BOULON, AVEC RONDELLE	3				
9	60R-E1191-00-1S	COVER, CYLINDER HEAD 1 COUVERCLE, CULASSE 1	1				
10	650-24378-00	.PIPE, JOINT 4 .DURITE RACCORDEMENT 3	1				
11	68T-11356-00	SEAL, CYLINDER 2 JOINT, SPY CYLINDRE	1				
12	97095-06020	BOLT BOULON	4				
13	92995-06600	WASHER RONDELLE	4				
14	68T-11168-00	COVER, BREATHER COUVERCLE, RENIFLARD	1				
15	68T-11169-A0	GASKET, BREATHER COVER JOINT, COUVERCLE DE RENIFLARD	1				
16	98507-04010	SCREW, PAN HEAD VIS, TETE TRONCONIQUE	5				
17	92907-04600	WASHER RONDELLE	5				
18	6G8-11325-00	ANODE ANODE	1				
19	97880-05025	SCREW, PAN HEAD VIS, TETE TRONCONIQUE	1				
20	6G8-11197-01	PLUG, BLIND PLOT, BORGNE	1				
21	93210-13M63	O-RING JOINT TORIQUE	1				
22	69M-E5363-00	PLUG, OIL PLOT, HUILE	1				
23	93210-24M79	O-RING JOINT TORIQUE	1				
24	94702-00274	PLUG, SPARK (NGK BR6HS-10) BOUGIE D'ALLUMAGE(NGK BR6HS-10)	2				

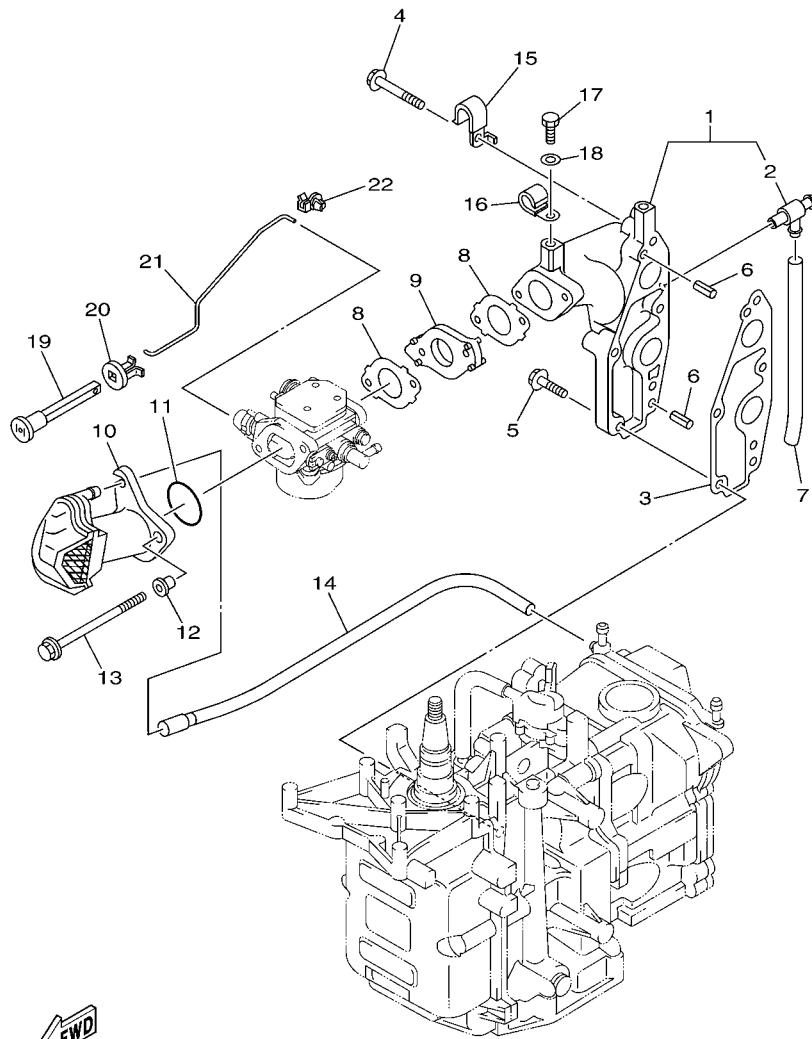


68R0010-0050

FIG. 5 VALVE

SOUPAPE

REF. NO.	PART NO. N° PIECES	DESCRIPTION DESCRIPTION	60R6				REMARKS REMARQUES
1	67D-12111-00	VALVE, INTAKE SOUPAPE, ADMISSION	2				
2	67D-12121-00	VALVE, EXHAUST SOUPAPE, ECHAPPEMENT	2				
3	68T-12116-00	SEAT, VALVE SPRING SIEGE, RESSORT DE SOUPAPE	4				
4	60R-12113-00	SPRING, VALVE INNER RESSORT DE SOUPAPE, INTERNE	4				
5	7NJ-12117-00	RETAINER, VALVE SPRING BUTEE DE RESSORT DE SOUPAPE	4				
6	7NJ-12118-00	COTTER, VALVE FRAISE, SOUPAPE	4				
7	51Y-12119-00	SEAL, VALVE STEM JOINT, QUEUE DE SOUPAPE	4				
8	68T-12146-00	SHAFT, ROCKER AXE, CULBUTEUR	1				
9	90387-13M56	COLLAR COLLERETTE	1				
10	90387-14M03	COLLAR COLLERETTE	3				
11	90501-12M40	SPRING, COMPRESSION RESSORT, COMPRESSION	2				
12	68T-12151-00	ARM, VALVE ROCKER CULBUTEUR	4				
13	6G8-12159-00	SCREW, VALVE ADJUSTING VIS, REGLAGE DE SOUPAPE	4				
14	6G8-12158-00	NUT, LOCK CONTRE-ECROU	4				

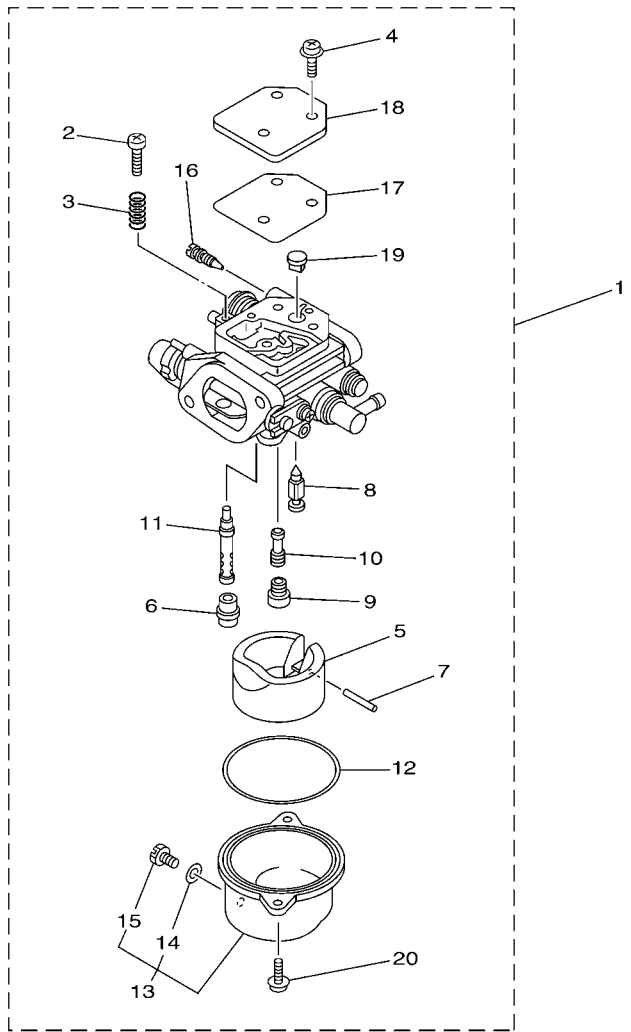


  
60N4300-G060

FIG. 6 INTAKE

ADMISSION

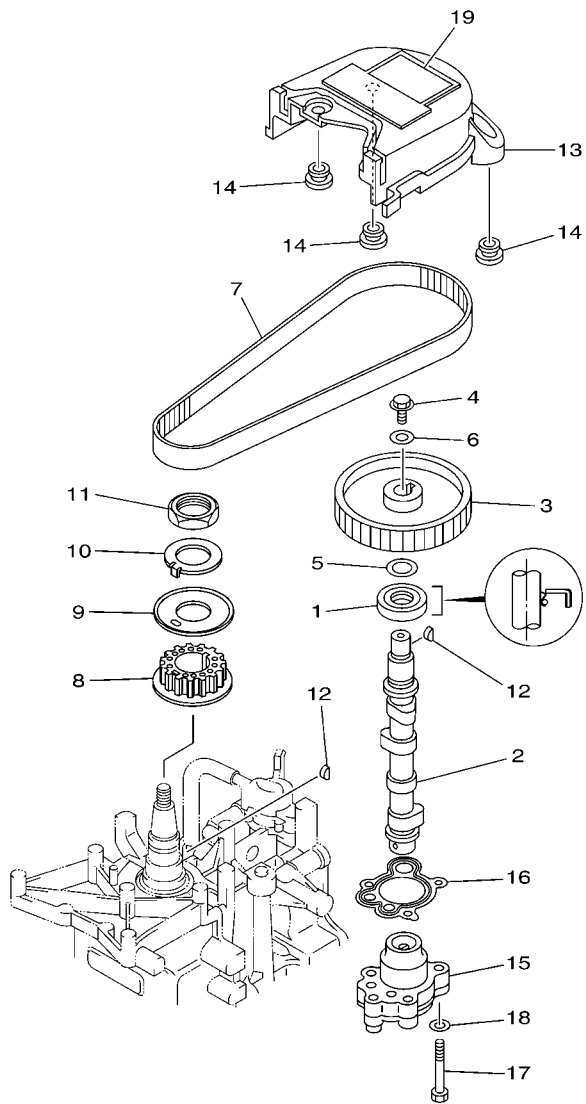
REF. NO.	PART NO. N° PIECES	DESCRIPTION DESCRIPTION	60R6			REMARKS REMARQUES
1	60R-E3641-20-1S	MANIFOLD 1 TUBULURE 1	1			FLUSHING KIT FLUSHING KIT
2	67F-12482-00	.PIPE 2 .DURITE 2	1			
3	68T-13645-00	GASKET, MANIFOLD 1 JOINT, TUBULURE 1	1			
4	90119-06MA5	BOLT, WITH WASHER BOULON, AVEC RONDELLE	3			
5	90119-06MA3	BOLT, WITH WASHER BOULON, AVEC RONDELLE	2			
6	91690-50014	PIN, SPRING AGRAFFE	2			
7	90445-09812	HOSE (L93) DURITE (L93)	1			FLUSHING KIT FLUSHING KIT
8	60R-E3646-A0	GASKET, MANIFOLD 2 JOINT, TUBULURE 2	2			
9	68T-14271-00	INSULATOR ISOLATEUR	1			
10	60R-E4440-00	SILENCER ASSY, INTAKE SIENCIEUX D'ADMISSION	1			
11	93210-31MJ5	O-RING JOINT TORIQUE	1			
12	90387-06M70	COLLAR COLLERETTE	2			
13	97595-06585	BOLT, WITH WASHER VIS HEXAGONAL AVC RONDELLE	2			
14	60R-E2483-00	PIPE 3 DURITE 3	1			
15	90465-08M99	CLAMP BRIDE	1			
16	90465-08M83	CLAMP BRIDE	1			FLUSHING KIT FLUSHING KIT
17	97095-06010	BOLT BOULON	1			FLUSHING KIT FLUSHING KIT
18	92995-06600	WASHER RONDELLE	1			FLUSHING KIT FLUSHING KIT
19	6H4-41271-01	KNOB, CHOKE BOUTON DE STARTER	1			
20	689-41273-00	GROMMET PASSE-FIL	1			
21	68T-41256-00	ROD, CHOKE 1 TRINGLE 1, STARTER	1			
22	6J8-41262-00	JOINT, CHOKE LEVER RACCORD, LEVIER DE STARTER	1			



60N6010-J070

FIG. 7 CARBURETOR CARBURATEUR

REF. NO.	PART NO. N° PIECES	DESCRIPTION DESCRIPTION	60R6				REMARKS REMARQUES
1	68T-14301-20	CARBURETOR ASSY 1 CARBURATEUR COMPLET 1	1				
2	6E5-14321-00	.SCREW, THROTTLE .VIS, ACCELERATEUR	1				
3	6J8-14334-00	.SPRING, THROTTLE .RESSORT, ACCELERATEUR	1				
4	97980-04110	.SCREW, WITH WASHER .VIS, AVEC RONDELLE	3				
5	68T-14385-00	.FLOAT .FLOTTEUR	1				
6	67D-14966-00	.RUBBER CAP .CAOUTCHOUC CASQUILLO	1				
7	67D-14386-00	.PIN, FLOAT .AXE, FLOTTEUR	1				
8	68T-14546-00	.VALVE, NEEDLE .POINTEAU	1				
9	68T-1492E-37	.JET, MAIN (#74) .GICLEUR, PRINCIPAL (#74)	1				
10	68T-1492F-1K	.JET, AIR SLOW (#39) .GICLEUR, AIR (#39)	1				
11	68T-1492A-00	.NOZZLE, MAIN .PUIITS D'AIGUILLE	1				
12	67D-14984-00	.GASKET, FLOAT CHAMBER .JOINT, CUVE DE FLOTTEUR	1				
13	68T-14981-00	.BODY, FLOAT CHAMBER .CORPS, CUVE DE FLOTTEUR	1				
14	6J8-14959-00	..GASKET ..JOINT	1				
15	66T-14991-00	..PLUG, DRAIN ..BOUCHON DE VIDANGE	1				
16	68T-14323-20	.SCREW, AIR ADJUSTING .VIS DE DOSEUR D'AIR	1				
17	67D-14536-00	.GASKET .JOINT	1				
18	67D-14527-00	.PLATE .PLAQUE	1				
19	68T-14126-00	.PLUG .PLOT	1				
20	97980-04112	.SCREW, WITH WASHER .VIS, AVEC RONDELLE	2				

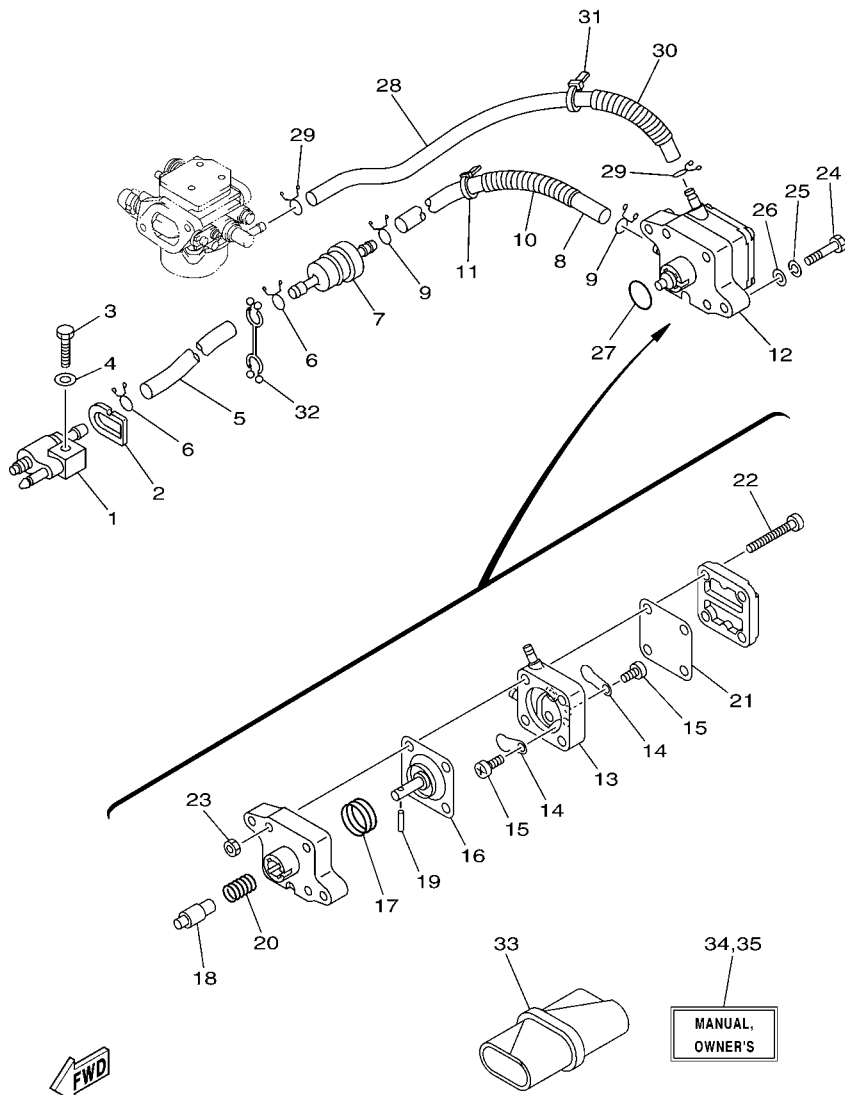


**FWD**  
60S1300-D080

**FIG. 8 OIL PUMP**

**POMPE A HUILE**

REF. NO.	PART NO. N° PIECES	DESCRIPTION DESCRIPTION	60R6				REMARKS REMARQUES
1	93102-18M21	OIL SEAL JOINT SPY	1				
2	60R-E2171-00	CAMSHAFT 1 ARBRE A CAMES 1	1				
3	60R-E1537-00-94	GEAR, DRIVEN PIGNON SECONDAIRE	1				
4	90105-06M14	BOLT FLANGE BOULON	1				
5	90201-13201	WASHER, PLATE RONDELLE, PLATE	1				
6	90201-06M94	WASHER, PLATE RONDELLE, PLATE	1				
7	60R-G6241-00	V-BELT COURROIE TRAPEZOIDALE	1				
8	60R-E1536-00	GEAR, DRIVE ENGRENAGE, MENANT	1				
9	68T-11557-00	WASHER 1 RONDELLE 1	1				
10	6G8-11587-01	WASHER, LOCK RONDELLE, FREIN	1				
11	90170-24M09	NUT ECROU	1				
12	90280-03M01	KEY, WOODRUFF CLAVETTE, DEMI-LUNE	2				
13	60R-G6297-00	COVER, DUST COUVERCLE, POUSSIERE	1				
14	90480-10627	GROMMET PASSE-FIL	3				
15	68T-13300-00	OIL PUMP ASSY POMPE A HUILE COMPLETE	1				
16	68T-13329-00	GASKET, PUMP COVER JOINT, COUVERCLE DE POMPE	1				
17	97095-06030	BOLT BOULON	3				
18	92995-06600	WASHER RONDELLE	3				
19	60R-E2138-60	MARK, CAUTION MAKER	1				

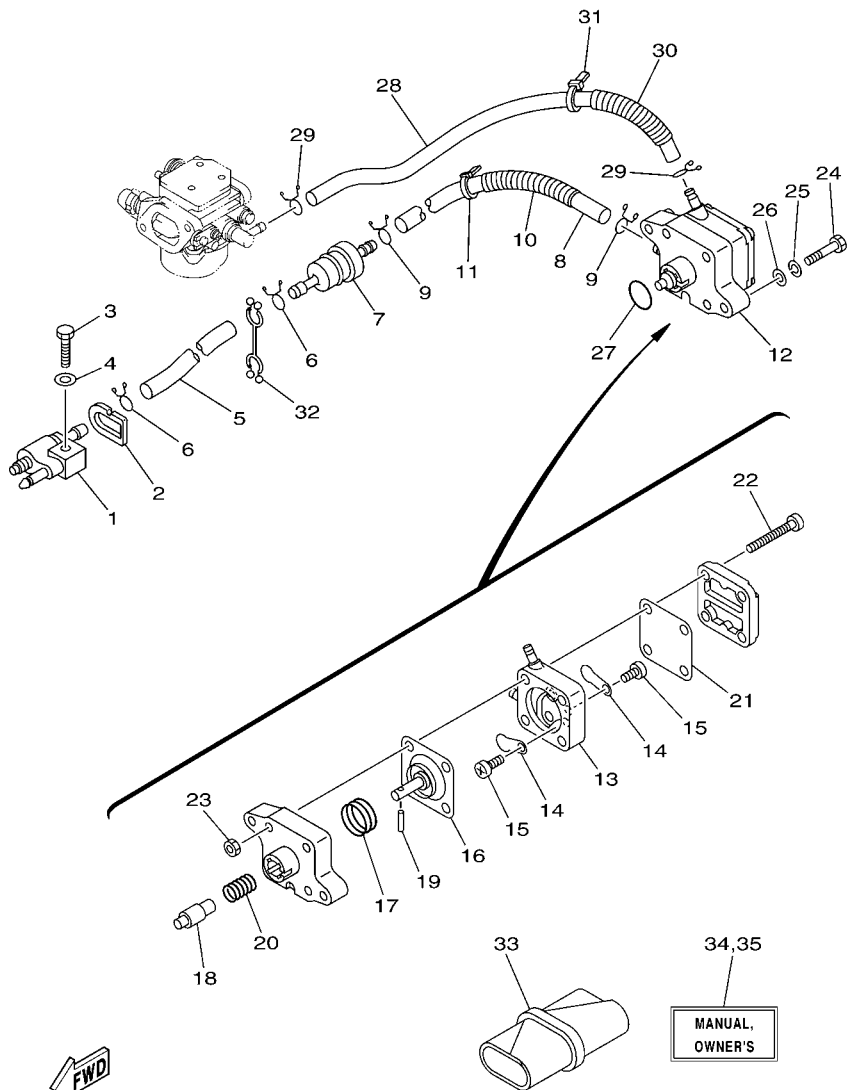


60N4300-G100

FIG. 9 FUEL

CARBURANT

REF. NO.	PART NO. N° PIECES	DESCRIPTION DESCRIPTION	60R6				REMARKS REMARQUES
1	6G1-24304-02	FUEL PIPE JOINT COMP. 1 DURITE RACCORDEMT. A ESSENCE	1				
2	60R-F4329-00	SEAL JOINT	1				
3	97095-06025	BOLT BOULON	1				
4	92995-06600	WASHER RONDELLE	1				
5	90445-10809	HOSE (L295) DURITE (L295)	1				
6	90467-09M09	CLIP JONC	2				
7	68T-24251-01	STRAINER 1 FILTRE 1	1				
8	90445-10811	HOSE (L170) DURITE (L170)	1				
9	90467-09M09	CLIP JONC	2				
10	90446-14M66	HOSE (L40) DURITE (L40)	1				
11	90465-11M10	CLAMP BRIDE	1				
12	68T-24410-01	FUEL PUMP ASSY POMPE A ESSENCE	1				
13	66M-24413-01	.BODY 2 .CORPS 2	1				
14	6A0-24421-01	.VALVE, CHECK .SOUPAPE, RETENUE	2				
15	6E7-14325-00	.SCREW, PAN HEAD .VIS TETE CONIQUE	2				
16	66M-24411-01	.DIAPHRAGM .DIAPHRAGME	1				
17	66M-24423-00	.SPRING, DIAPHRAGM .RESSORT, DIAPHRAGME	1				
18	66M-13131-00	.PLUNGER .PLONGEUR	1				
19	66M-24374-00	.PIN .GOUILLE	1				
20	66M-24454-00	.SPRING .RESSORT	1				
21	66M-24471-01	.DIAPHRAGM .DIAPHRAGME	1				
22	66M-24444-00	.SCREW .VIS	4				
23	95380-04600	.NUT .ECROU	4				
24	97095-06030	BOLT BOULON	2				
25	92995-06100	WASHER, SPRING RONDELLE, GROWER	2				
26	92995-06600	WASHER RONDELLE	2				
27	93210-20M65	O-RING JOINT TORIQUE	1				



60N4300-G100

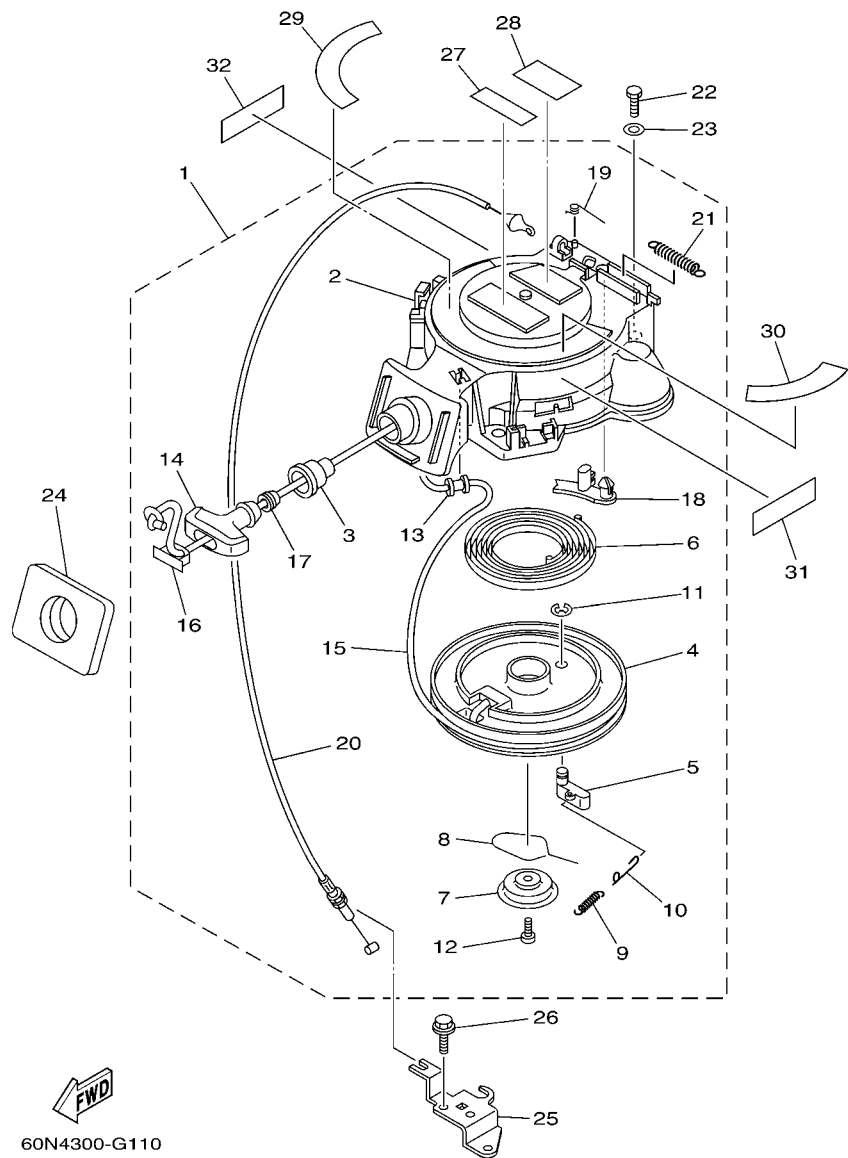
FIG. 9 FUEL

CARBURANT

REF. NO.	PART NO. N° PIECES	DESCRIPTION DESCRIPTION	60R6				REMARKS REMARQUES
28	90445-10810	HOSE (L280) DURITE (L280)	1				
29	90467-09M09	CLIP JONC	2				
30	90446-14M66	HOSE (L40) DURITE (L40)	1				
31	90465-11M10	CLAMP BRIDE	1				
32	90464-10M53	CLAMP BRIDE	1				
33	68T-28100-00	TOOL KIT TROUSSE A OUTILS	1				
34	60R-F8199-75-E0	MANUAL, OWNER'S MANUEL D'UTILISATION	1				UR (E) UR (E)
	60R-F8199-75-F0	MANUAL, OWNER'S MANUEL D'UTILISATION	1				UR (F) UR (F)
	60R-F8199-75-S0	MANUAL, OWNER'S MANUEL D'UTILISATION	1				UR (ES) UR (ES)
	60R-F8199-75-G0	MANUAL, OWNER'S MANUEL D'UTILISATION	1				UR (D) UR (D)
	60R-F8199-75-D0	MANUAL, OWNER'S MANUEL D'UTILISATION	1				UR (NL) UR (NL)
	60R-F8199-75-H0	MANUAL, OWNER'S MANUEL D'UTILISATION	1				UR (I) UR (I)
35	60R-F8199-85-K0	MANUAL, OWNER'S MANUEL D'UTILISATION	1				UR (DK) UR (DK)
	60R-F8199-85-R0	MANUAL, OWNER'S MANUEL D'UTILISATION	1				UR (GR) UR (GR)
	60R-F8199-85-P0	MANUAL, OWNER'S MANUEL D'UTILISATION	1				UR (P) UR (P)
	60R-F8199-85-N0	MANUAL, OWNER'S MANUEL D'UTILISATION	1				UR (N) UR (N)
	60R-F8199-85-M0	MANUAL, OWNER'S MANUEL D'UTILISATION	1				UR (S) UR (S)
	60R-F8199-85-L0	MANUAL, OWNER'S MANUEL D'UTILISATION	1				UR (SF) UR (SF)

FIG. 10 STARTER

DEMARREUR



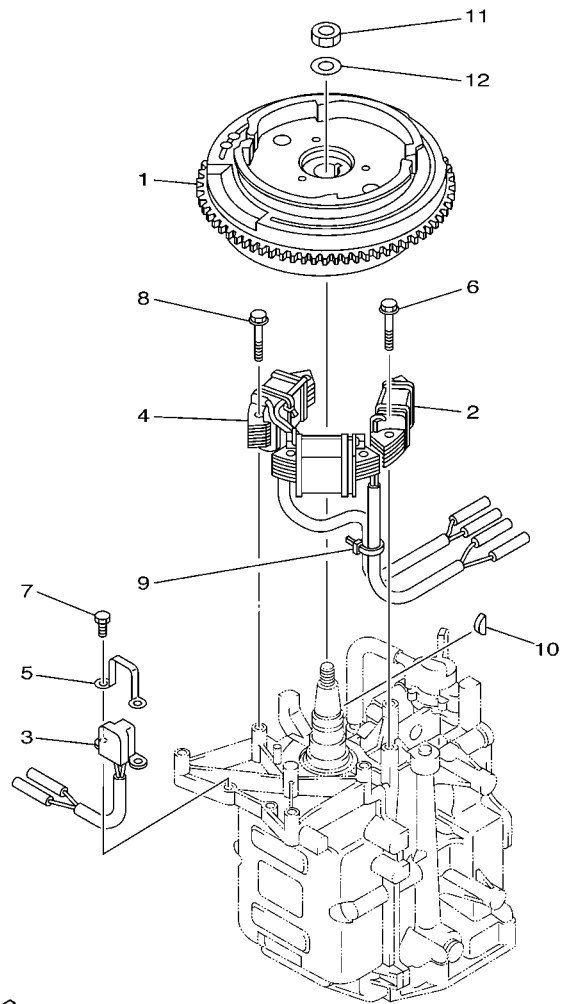
60N4300-G110

\*1: CUT FROM 50M ROLLS, PART NO. 90890-44373, CUTTING LENGTH 1.8M

\*1: A PRELEVER SUR BOBINE 50M, REFERENCE 90890-44373, LONGUEUR DE COUPE 1.8M

REF. NO.	PART NO. N° PIECES	DESCRIPTION DESCRIPTION	60R6				REMARKS REMARQUES
1	68T-15710-13	STARTER ASSY DEMARREUR COMPLET	1				
2	68T-15711-03	.CASE, STARTER .CARTER DE DEMARREUR	1				
3	68T-15795-00	.GUIDE, ROPE .GUIDE DE CABLE	1				
4	63V-15714-00	.DRUM, SHEAVE .TAMBOUR, POULIE	1				
5	63V-15741-00	.PAWL, DRIVE .CLIQUET, ENTRAINEMENT	1				
6	63V-15713-00	.SPRING, STARTER .RESSORT DE DEMARREUR	1				
7	68T-15716-00	.PLATE, DRIVE .PLAQUE, ENTRAINEMENT	1				
8	63V-15705-01	.SPRING, DRIVE PAWL .RESSORT DE CLIQUET	1				
9	63V-15767-01	.SPRING .RESSORT	1				
10	68T-15784-00	.SPRING, RETURN .RESSORT, RAPPEL	1				
11	63V-15744-00	.CIRCLIP .CIRCLIP	1				
12	68T-15793-00	.SCREW .VIS	1				
13	68T-15764-00	.COLLAR 1 .COLLERETTE 1	1				
14	6G1-15755-00	.HANDLE, STARTER .POIGNEE, DE DEMARREUR	1				
15	*	.WIRE, STARTER (L:1800MM) .CABLE DE DEMARREUR (L:1800MM)	1				*1 *1
16	6G1-15779-00	.COVER .COUVERCLE	1				
17	6A0-15789-00	.DAMPER .AMORTISSEUR	1				
18	68T-15794-00	.STOPPER .BUTEE	1				
19	66T-15734-00	.SPRING, RETURN .RESSORT, RAPPEL	1				
20	68T-15770-00	.CABLE COMP., STARTER STOP .CABLE, BUTEE DE DEMAR	1				
21	66T-15731-00	.SPRING, RETURN .RESSORT, RAPPEL	1				
22	97095-06020	BOLT BOULON	3				
23	92995-06600	WASHER RONDELLE	3				
24	68T-15762-00	SEAL, RUBBER 2 JOINT CAOUTCHOUC 2	1				
25	68T-15774-10	STAY 4 SUPPORT 4	1				
26	90109-06M86	BOLT BOULON	2				
27	6AH-81995-40	LABEL, WARNING ETIQUETTE, AVERTISSEMENT	1				



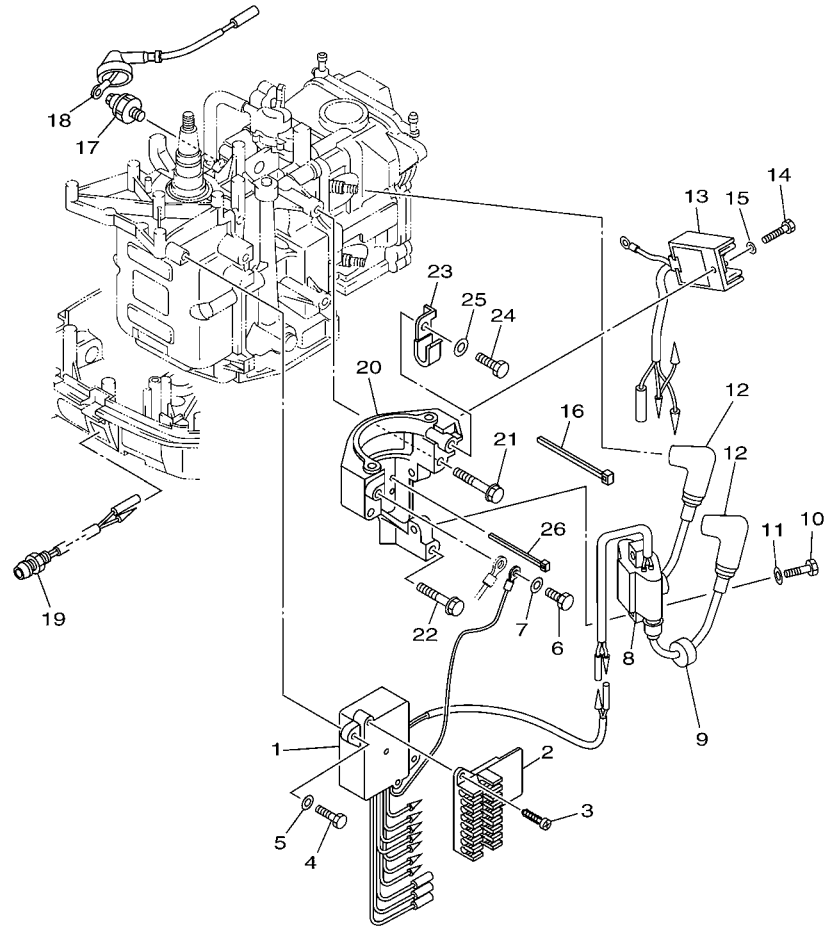


60N1300-D110

FIG. 11 GENERATOR

GENERATRICE

REF. NO.	PART NO. N° PIECES	DESCRIPTION DESCRIPTION	60R6				REMARKS REMARQUES
1	68T-85550-11	ROTOR ASSY ROTOR CPLT	1				
2	68T-85520-00	COIL, CHARGE BOBINE, CHARGE	1				
3	68T-85580-01	COIL, PULSER BOBINE, PULSEUR	1				
4	68T-85533-10	COIL, LIGHTING BOBINE, ECLAIRAGE	1				
5	6H2-85582-00	ATTACHMENT, PULSER SUPPORT, PULSEUR	1				
6	90119-06014	BOLT, WITH WASHER BOULON, AVEC RONDELLE	2				
7	97095-05010	BOLT BOULON	2				
8	90119-06MA1	BOLT, WITH WASHER BOULON, AVEC RONDELLE	4				
9	90465-11M10	CLAMP BRIDE	1				
10	90280-04M06	KEY, WOODRUFF CLAVETTE, DEMI-LUNE	1				
11	90170-12066	NUT ECROU	1				
12	90201-12472	WASHER, PLATE RONDELLE, PLATE	1				



60N4300-G130

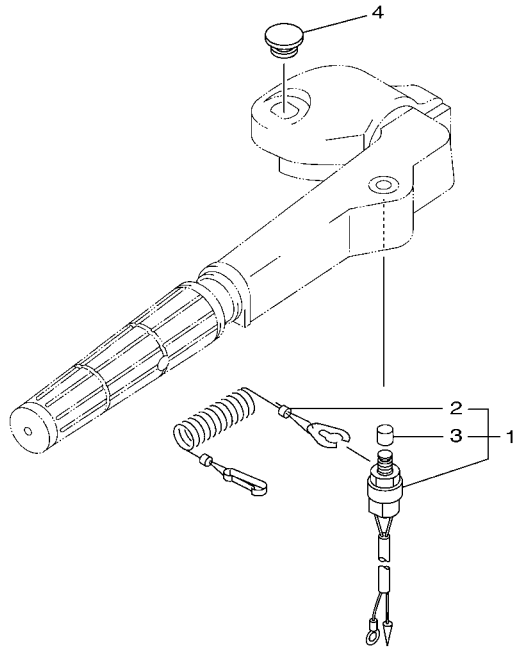
FIG. 12 ELECTRICAL 1

PARTIE ELECTRIQUE 1

REF. NO.	PART NO. N° PIECES	DESCRIPTION DESCRIPTION	60R6				REMARKS REMARQUES
1	68T-85540-00	C.D.I. UNIT ASSY BLOC C.D.I.	1				
2	68T-82522-00	CLAMP, COUPLER BRIDE, DE CONNECTEUR	1				
3	97780-40512	SCREW, TAPPING VIS, TETE BOMBEE	2				
4	97095-06020	BOLT BOULON	2				
5	92995-06600	WASHER RONDELLE	2				
6	97095-06012	BOLT BOULON	1				
7	92995-06600	WASHER RONDELLE	1				
8	680-85570-02	IGNITION COIL ASSY BOBINE D'ALLUMAGE (ENS.)	1				
9	90480-25161	GROMMET PASSE-FIL	2				
10	97095-06025	BOLT BOULON	2				
11	92995-06600	WASHER RONDELLE	2				
12	6E3-82370-21	PLUG CAP ASSY ANTIPARASITE	2				
13	68T-81960-00	RECTIFIER & REGULATOR ASSY REDRESSEUR REGULATEUR CPLT	1				
14	97095-06012	BOLT BOULON	1				
15	92995-06600	WASHER RONDELLE	1				
16	90465-11M10	CLAMP BRIDE	1				
17	67F-82504-00	OIL PRESSURE SWITCH ASSY CONTACTEUR DE PRESSION D'HUILE	1				
18	68T-82127-10	WIRE, LEAD 2 FIL 2	1				
19	68T-85410-00	EMERGENCY SIGNAL LIGHT ASSY FEU DE DETRESSE	1				
20	68T-81822-01-94	BRACKET, STARTING MOTOR SUPPORT, DEMARREUR ELECTRIQUE	1				
21	90119-08046	BOLT, WITH WASHER BOULON, AVEC RONDELLE	2				
22	90119-08020	BOLT, WITH WASHER BOULON, AVEC RONDELLE	1				
23	90465-08M99	CLAMP BRIDE	1				
24	97095-06012	BOLT BOULON	1				
25	92995-06600	WASHER RONDELLE	1				
26	90465-11M10	CLAMP BRIDE	1				

FIG. 13 ELECTRICAL 2

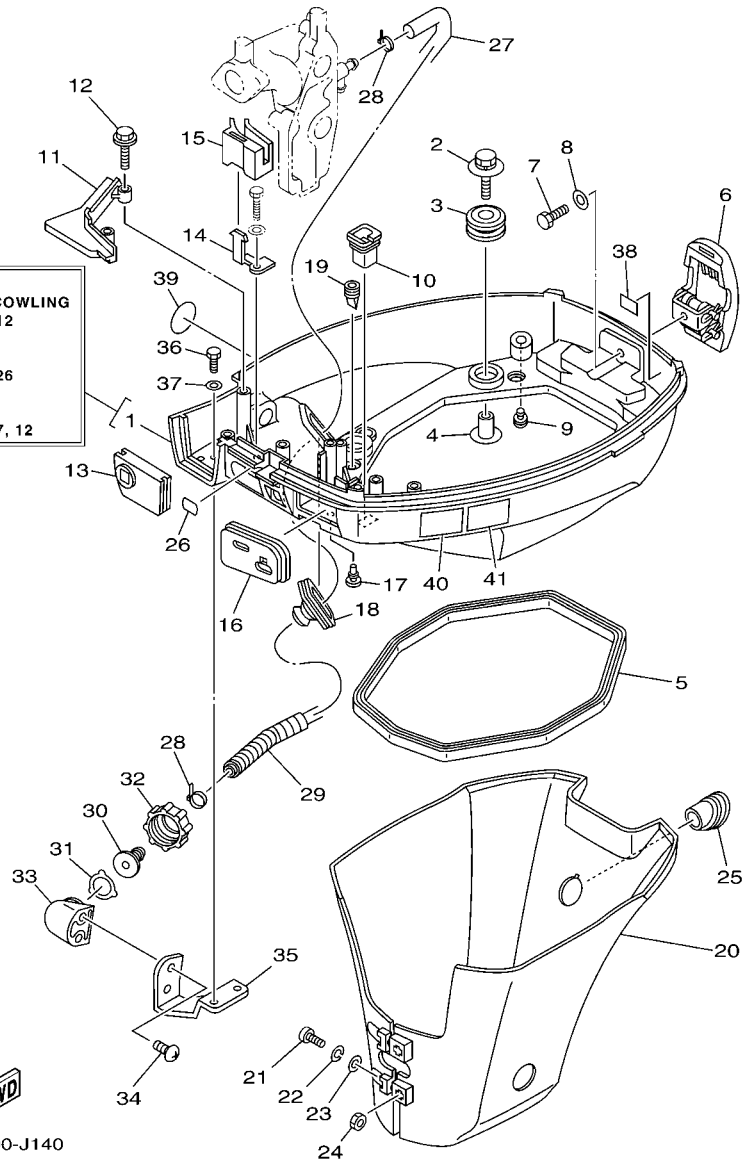
PARTIE ELECTRIQUE 2



REF. NO.	PART NO. N° PIECES	DESCRIPTION DESCRIPTION	60R6				REMARKS REMARQUES
1	65W-82575-01	ENGINE STOP SWITCH ASSY COUPE CIRCUIT CPLT	1				
2	682-82556-00	.LANYARD, STOP SWITCH .PLAQUETTE	1				
3	689-8257Y-00	.CAP .COUVERCLE	1				
4	6G1-42725-00	GROMMET PASSE-FIL	1				
-----							
-----							
-----							
-----							
-----							
-----							
-----							
-----							
-----							
-----							

  
6AU1300-G140

Fig.14,  
BOTTOM COWLING  
Ref. No. 12  
Fig.10,  
STARTER  
Ref. No. 26  
Fig.16,  
CONTROL  
Ref. No. 7, 12



60R6300-J140

FIG. 14 BOTTOM COWLING

CAPOT INFERIEUR

REF. NO.	PART NO. N° PIECES	DESCRIPTION DESCRIPTION	60R6			REMARKS REMARQUES
1	60R-G2710-00-4D	BOTTOM COWLING ASSY ENS. EMBASE	1			WITH TAPPING BOLT WITH TAPPING BOLT
2	68F-85119-00	BOLT BOULON	4			
3	90480-21M82	GROMMET PASSE-FIL	4			
4	90387-06176	COLLAR COLLERETTE	4			
5	68T-42716-10	RUBBER, SEAL 1 JOINT EN CAOUTCHOUC 1	1			
6	68T-42801-00	COWLING CLAMP COMP. BRIDE DE CAPOT COMP.	1			
7	97095-06012	BOLT BOULON	1			
8	92995-06600	WASHER RONDELLE	1			
9	6H3-44391-01	NIPPLE, HOSE RACCORD D'ESSENCE	1			
10	682-42727-00	GROMMET PASSE-FIL	1			
11	68T-42738-00-4D	PLATE, FITTING ETRIER	1			
12	90109-06M81	BOLT BOULON	2			
13	68T-42725-00	GROMMET PASSE-FIL	1			
14	68T-26393-00	HOLDER SUPPORT	1			
15	68T-26367-00	PROTECTOR PROTECTEUR	1			
16	60R-G2724-00	GROMMET PASSE-FIL	1			
17	90480-06M19	GROMMET PASSE-FIL	1			
18	688-42726-10	GROMMET PASSE-FIL	1			FLUSHING KIT FLUSHING KIT
19	60S-G2717-00	RUBBER, SEAL 2 JOINT EN CAOUTCHOUC 2	2			
20	60R-G2741-00	APRON CAPOT LATERAL	1			
21	97885-06030	SCREW, PAN HEAD VIS, A ENCOCHE	2			
22	92995-06100	WASHER, SPRING RONDELLE, GROWER	2			
23	92995-06600	WASHER RONDELLE	2			
24	95380-06600	NUT, HEXAGON ECROU	2			
25	68T-42717-00	RUBBER, SEAL 2 JOINT EN CAOUTCHOUC 2	1			
26	60R-H4342-00	SEAT, EMBLEM SIEGE, EMBLEME	1			
27	60S-E2481-00	PIPE 1 DURITE 1	1			FLUSHING KIT FLUSHING KIT

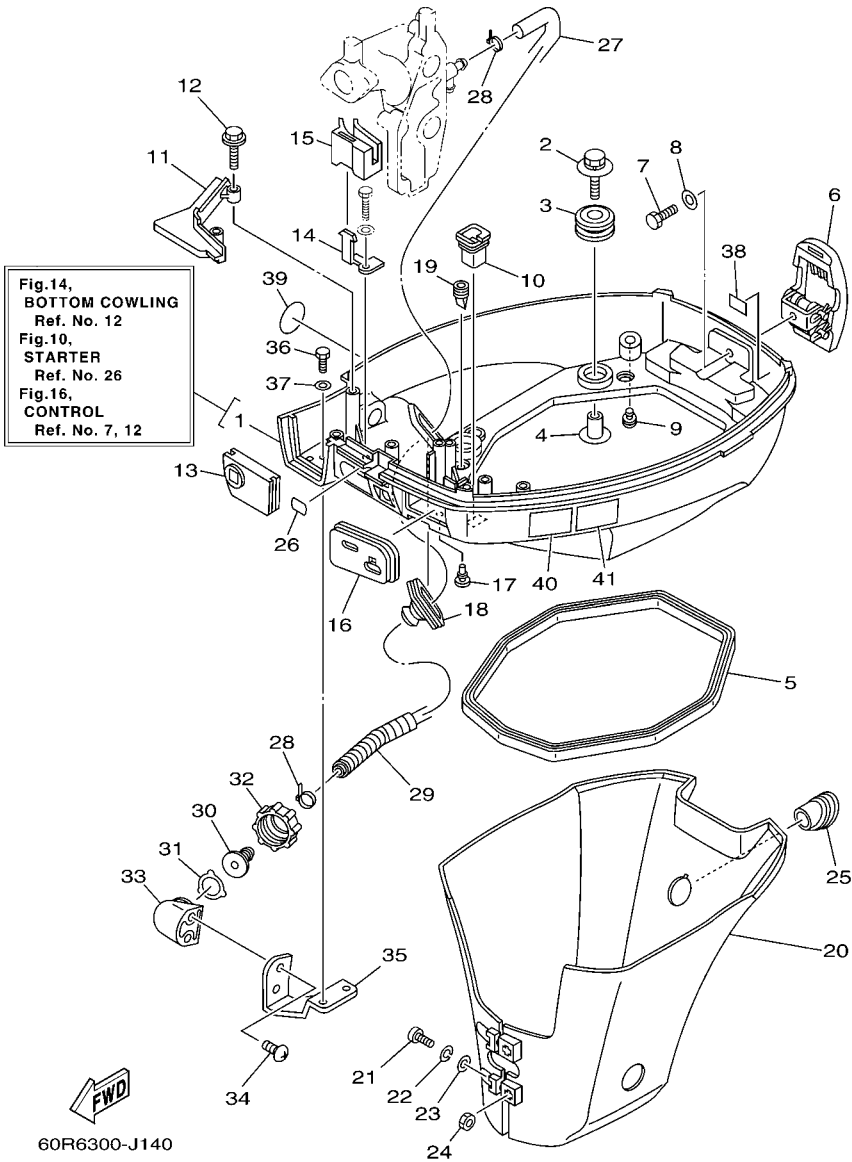
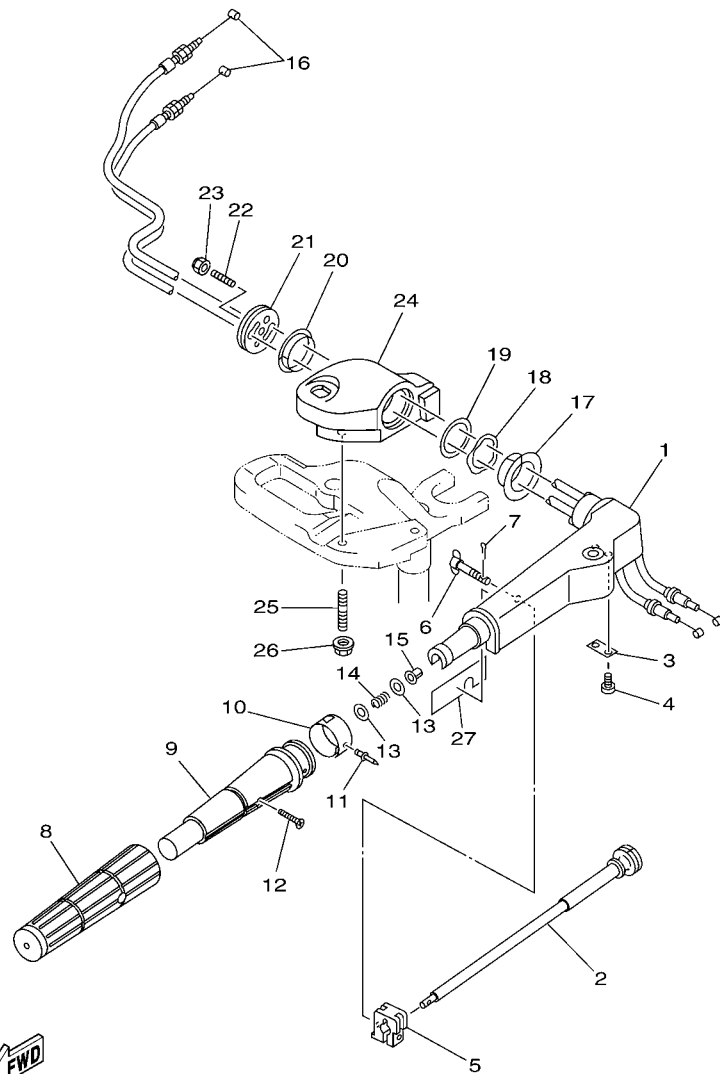


FIG. 14 BOTTOM COWLING

CAPOT INFERIEUR

REF. NO.	PART NO. N° PIECES	DESCRIPTION DESCRIPTION	60R6			REMARKS REMARQUES
28	90465-11M10	CLAMP BRIDE	2			FLUSHING KIT FLUSHING KIT
29	90447-13M00	TUBE DURITE	1			FLUSHING KIT FLUSHING KIT
30	6R3-12582-00	JOINT, HOSE 2 RACCORD DE TUYAU 1	1			FLUSHING KIT FLUSHING KIT
31	6R3-12583-00	GASKET, HOSE JOINT JOINT	1			FLUSHING KIT FLUSHING KIT
32	6R3-12581-00	JOINT, HOSE 1 JOINT DE TUYAU	1			FLUSHING KIT FLUSHING KIT
33	68T-12572-00	ADAPTER ADAPTATEUR	1			FLUSHING KIT FLUSHING KIT
34	90167-06002	SCREW, TAPPING VIS, TETE FRAISEE	2			FLUSHING KIT FLUSHING KIT
35	68T-12535-00	PLATE PLAQUE	1			FLUSHING KIT FLUSHING KIT
36	97095-06012	BOLT BOULON	2			FLUSHING KIT FLUSHING KIT
37	92995-06600	WASHER RONDELLE	2			FLUSHING KIT FLUSHING KIT
38	6H8-42791-10	MARK 1 ETIQUETTE 1	1			
39	60R-F415E-00	LABEL, CAUTION ETIQUETTE, RECOMMANDATION	1			FOR SAV FOR SAV
40	6AH-42794-40	LABEL, WARNING (GENERAL) ETIQUETTE, AVERTISSEMENT	1			
41	6AH-42794-50	LABEL, WARNING (GENERAL) ETIQUETTE, AVERTISSEMENT	1			



60N4300-G160

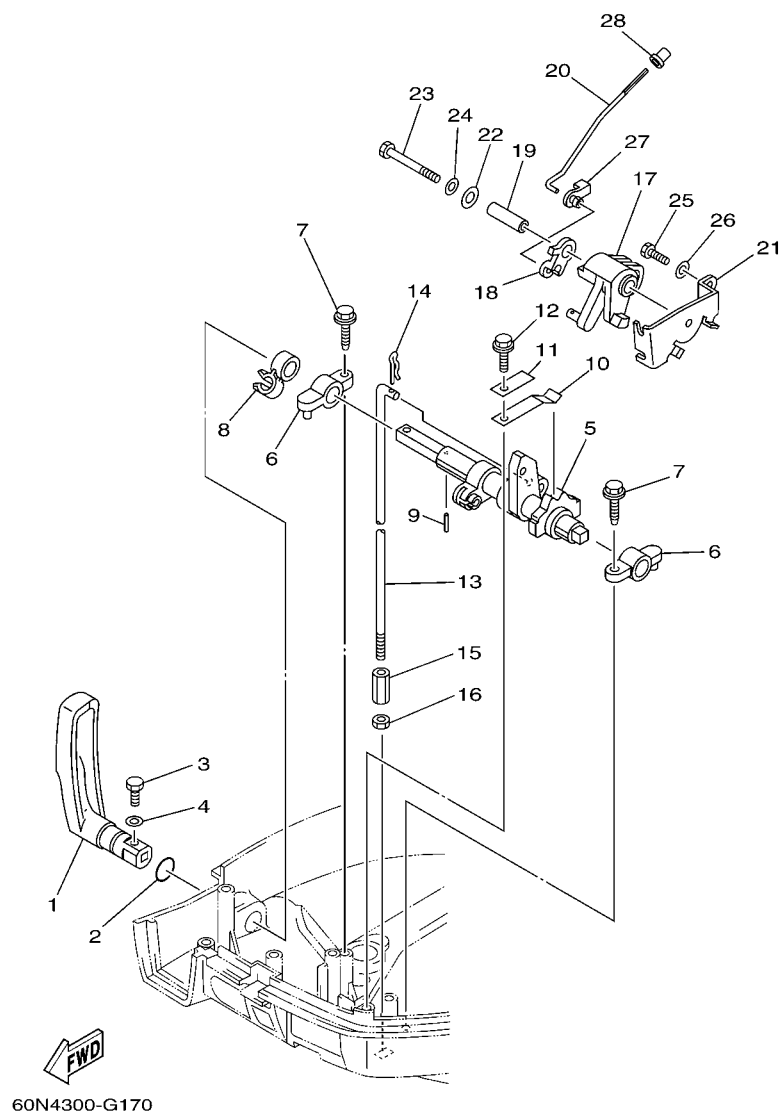
FIG. 15 STEERING

DIRECTION

REF. NO.	PART NO. N° PIECES	DESCRIPTION DESCRIPTION	60R6				REMARKS REMARQUES
1	60R-G2111-00-4D	HANDLE, STEERING POIGNEE	1				
2	6G1-42138-01	LEVER, THROTTLE LEVIER, ACCELERATEUR	1				
3	68D-G2159-00	STAY SUPPORT	1				
4	97885-05012	SCREW, PAN HEAD VIS, A ENCOCHE	2				
5	6G1-42126-00	FRICITION, STEERING HANDLE GRIP CUVETTE, POIGNEE DE DIRECTION	1				
6	6G1-42125-01	BOLT, FRICTION ADJUSTING BOULON	1				
7	91490-16010	PIN. COTTER GOUILLE	1				
8	68D-G2177-10	RUBBER, HANDLE CAOUTCHOUC, POIGNEE	1				
9	68D-G2119-01	GRIP, STEERING HANDLE POIGNEE, BARRE FRANCHE	1				
10	60R-G2137-00	INDICATOR, THROTTLE INDICATEUR, ACCELERATION	1				
11	90269-02M09	RIVET RIVET	1				
12	90149-05M13	SCREW VIS	1				
13	90201-10M02	WASHER, PLATE RONDELLE, PLATE	2				
14	90501-23800	SPRING, COMPRESSION RESSORT, COMPRESSION	1				
15	90386-08032	BUSH DOUILLE	1				
16	60R-F6301-00	THROTTLE CABLE ASSY CABLE D'ACCELERATEUR	2				
17	90386-34M97	BUSH DOUILLE	1				
18	90206-36M21	WASHER, WAVE RONDELLE, ONDULEE	1				
19	90202-36M55	WASHER, PLATE RONDELLE, PLATE	1				
20	90386-33M96	BUSH DOUILLE	1				
21	68T-42131-01	COVER, HANDLE STEERING COUVERCLE	1				
22	90116-08015	BOLT, STUD GOUJON	1				
23	90185-08057	NUT, SELF-LOCKING ECROU, AUTO-BLOQUANT	1				
24	60R-G2121-00-4D	BRACKET SUPPORT	1				
25	90116-10040	BOLT, STUD GOUJON	2				
26	90179-10M33	NUT ECROU	2				
27	60R-E571Y-60	MARK, CAUTION MAKER	1				

FIG. 16 CONTROL

COMMANDE

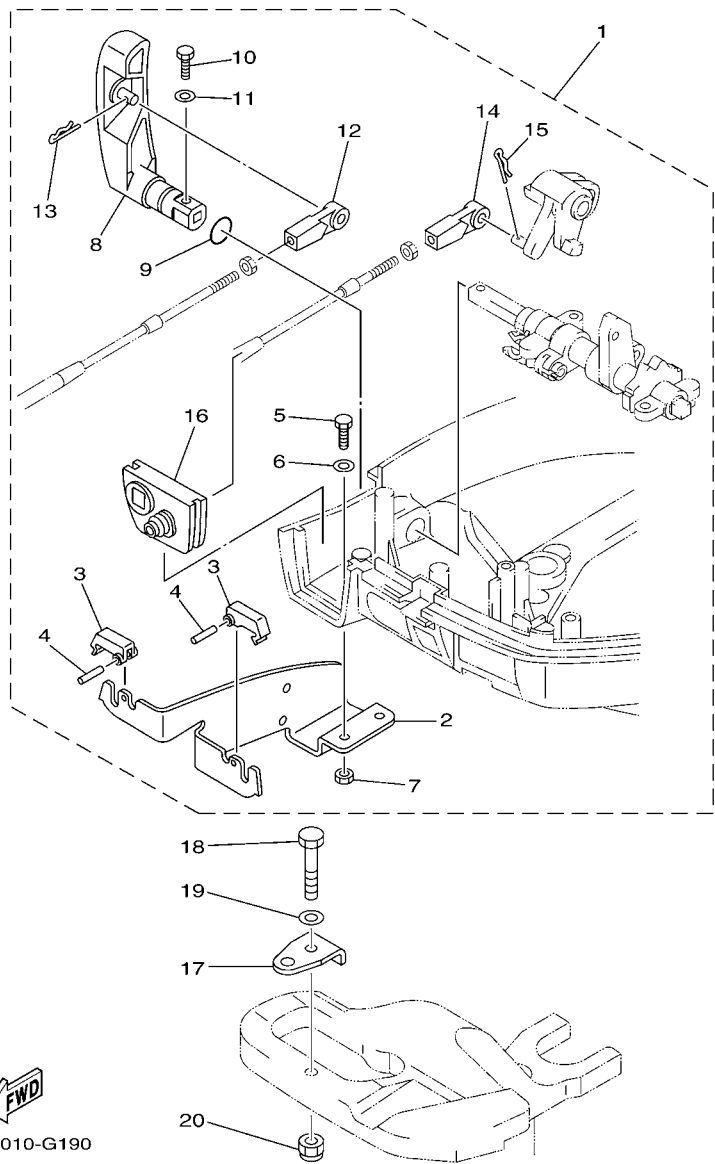


60N4300-G170

REF. NO.	PART NO. N° PIECES	DESCRIPTION DESCRIPTION	60R6				REMARKS REMARQUES
1	60R-G4111-00	HANDLE, GEAR SHIFT POIGNEE, LEVIER D'EMBRAYAGE	1				
2	93210-12327	O-RING JOINT TORIQUE	1				
3	97095-05016	BOLT BOULON	1				
4	92995-05600	WASHER RONDELLE	1				
5	68T-44121-02	LEVER, SHIFT ROD LEVIER, TIGE D'INVERSION	1				
6	6G1-41662-01-94	BRACKET 2 SUPPORT 2	2				
7	90109-06M81	BOLT BOULON	2				
8	90464-10M60	CLAMP BRIDE	1				
9	91690-30014	PIN, SPRING AGRAFFE	1				
10	65W-44116-00	SPRING RESSORT	1				
11	66R-44114-00	STOPPER PLAQUETTE	1				
12	90109-06M86	BOLT BOULON	1				
13	60R-G4143-00	ROD, SHIFT TIGE D'EMBRAYAGE	1				S(17.1")
	60R-G4143-10	ROD, SHIFT TIGE D'EMBRAYAGE	1				L(22.1")
14	90468-18001	CLIP JONC	1				L(22.1")
15	90170-06015	NUT ECROU	1				
16	95380-06700	NUT ECROU	1				
17	68T-41638-00	PULLEY POULIE	1				
18	68T-41283-00	LEVER, FREE ACCEL. LEVIER	1				
19	90387-06M59	COLLAR COLLERETTE	1				
20	68T-41211-00	LINK, ACCEL. BIELLETTTE, ACCELERATION	1				
21	68T-14497-00	STAY, THROTTLE WIRE SUPPORT DE BOISSEAU	1				
22	90201-06M62	WASHER, PLATE RONDELLE, PLATE	1				
23	97095-06045	BOLT BOULON	1				
24	92995-06600	WASHER RONDELLE	1				
25	97095-06012	BOLT BOULON	1				
26	92995-06600	WASHER RONDELLE	1				

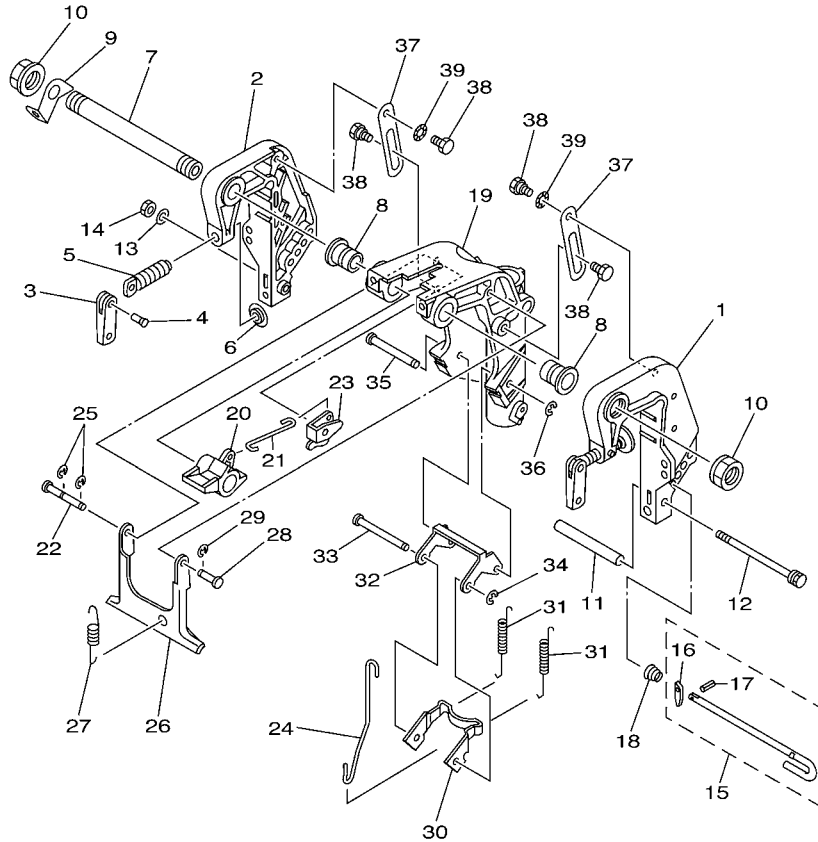


FIG. 17 REMO CON ATTACHMENT COMMANDE A DISTANCE



60N4010-G190

REF. NO.	PART NO. N° PIECES	DESCRIPTION DESCRIPTION	60R6				REMARKS REMARQUES
1	60R-G8501-00	REMOTE CONT. ATTACHMENT ASSY. COMMANDE A DISTANCE (KIT)	1				AP AP
2	68T-48531-00	.BRACKET, REMOTE CONTROL 1 .ETRIER 1, COMMANDE A DISTANCE	1				
3	682-48538-50	.CLAMP, CABLE 1 .COLLIER	2				
4	91690-30012	.PIN, SPRING .AGRAFFE	2				
5	97095-06012	.BOLT .BOULON	2				
6	92995-06600	.WASHER .RONDELLE	2				
7	95380-06600	.NUT, HEXAGON .ECROU	2				
8	60R-G4111-10	.HANDLE, GEAR SHIFT .POIGNEE, LEVIER D'EMBRAYAGE	1				
9	93210-12327	.O-RING .JOINT TORIQUE	1				
10	97095-05016	.BOLT .BOULON	1				
11	92995-05600	.WASHER .RONDELLE	1				
12	663-48344-00	.CABLE END, REMOTE CONTROL .CHAPE CABLE	1				
13	90468-18008	.CLIP .JONC	1				
14	663-48344-00	.CABLE END, REMOTE CONTROL .CHAPE CABLE	1				
15	90468-18008	.CLIP .JONC	1				
16	68T-42725-10	.GRÖMMET .PASSE-FIL	1				
17	63V-48511-01	HOOK, STEERING ATTACHE, DIRECTION	1				AP AP
18	97075-08035	BOLT BOULON	1				AP AP
19	92995-08600	WASHER RONDELLE	1				AP AP
20	90185-08057	NUT, SELF-LOCKING ECROU,AUTO-BLOQUANT	1				AP AP



68R3110-C200

FIG. 18 BRACKET 1

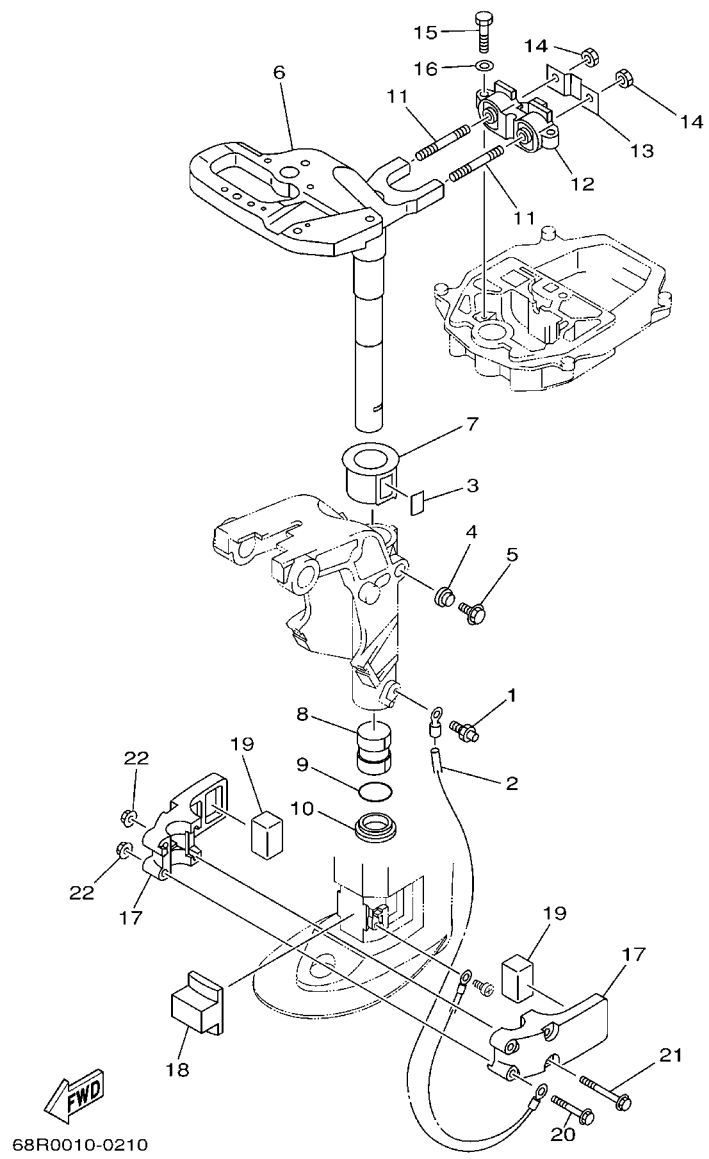
SUPPORT 1

REF. NO.	PART NO. N° PIECES	DESCRIPTION DESCRIPTION	60R6		REMARKS REMARQUES
1	60R-G3111-01-4D	BRACKET, CLAMP 1 PRESSE 1	1		
2	60R-G3112-01-4D	BRACKET, CLAMP 2 PRESSE 2	1		
3	6L8-G3118-01	HANDLE, TRANSOM CLAMP POIGNEE DE VIS DE PRESSE	2		
4	90243-04M01	PIN GOUPILLE	2		
5	6E7-43116-00	SCREW, TRANSOM CLAMP VIS DE PRESSE	2		
6	648-43114-01	PAD, TRANSOM CLAMP RONDELLE D'APPUI	2		
7	63V-43131-10	BOLT, CLAMP BRACKET (L:283MM) BOULON, PRESSE (L:283MM)	1		FOR RIDE GUIDE FOR RIDE GUIDE
8	90386-22MA4	BUSH DOUILLE	2		
9	66R-43113-00	PLATE, CLAMP BRACKET PLAQUETTE, PRESSE	1		
10	90185-22043	NUT, SELF-LOCKING ECROU, AUTO-BLOQUANT	2		
11	90387-06M13	COLLAR COLLERETTE	1		
12	90101-06M18	BOLT BOULON	1		
13	92990-06600	WASHER, PLATE RONDELLE, PLATE	1		
14	95380-06700	NUT ECROU	1		
15	6L2-43160-01	TILT ROD ASSY BROCHE D'INCLINAISON (ENS.)	1		
16	689-43165-00	.PLATE, TILT LOCK .TAQUET, BROCHE INCLINAISON	1		
17	91690-30008	.PIN, SPRING .AGRAFFE	1		
18	90502-10M07	SPRING, CONICAL RESSORT, CONIQUE	1		
19	60R-G3311-00-4D	BRACKET, SWIVEL 1 SUPPORT, PIVOT 1	1		S(17.1") S(17.1")
	60R-G3311-10-4D	BRACKET, SWIVEL 1 SUPPORT, PIVOT 1	1		L(22.1") L(22.1")
20	60R-G3631-00	LEVER, TILT LEVIER, INCLINAISON	1		
21	60R-G3616-00	ROD, TILT LOCK TIGE	1		
22	68T-43646-00	SHAFT, LEVER AXE, LEIVER	1		
23	68T-43641-00	LEVER, TILT LEVIER, INCLINAISON	1		
24	68T-43617-00	ROD, TILT LOCK TIGE	1		
25	99080-05600	CIRCLIP CIRCLIP	2		
26	68T-43350-00	RECEIVER ASSY RECEIVER ASSY	1		



FIG. 19 BRACKET 2

SUPPORT 2



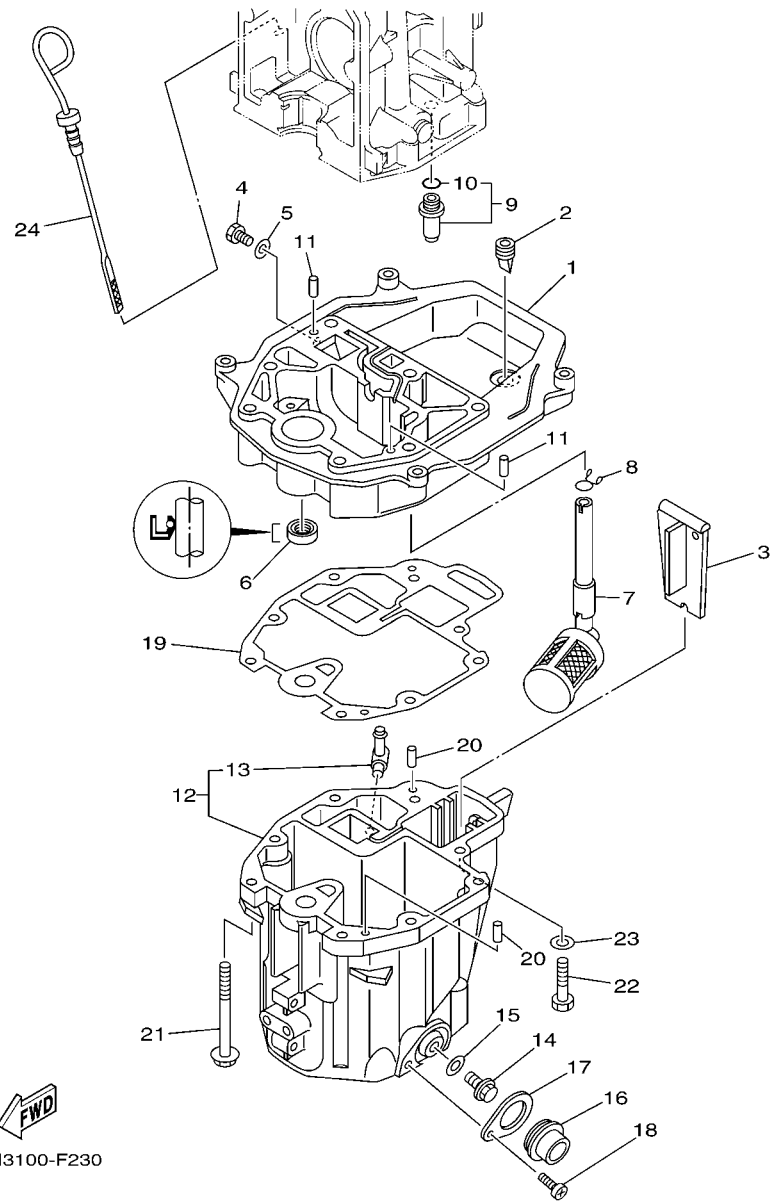
68R0010-0210

REF. NO.	PART NO. N° PIECES	DESCRIPTION DESCRIPTION	60R6				REMARKS REMARQUES
1	93700-06M03	NIPPLE, GREASE PION	1				
2	68T-82127-00	WIRE, LEAD 2 FIL 2	1				
3	63V-42528-00	PLATE, FRICTION PLAQUE, FRICTION	1				
4	689-43373-01	SEAL, DAMPER JOINT	1				
5	90105-06M07	BOLT, FLANGE BOULON	1				
6	60R-G2511-01-4D	BRACKET, STEERING CADRE, DIRECTION	1				S(17.1") S(17.1")
	60R-G2511-11-4D	BRACKET, STEERING CADRE, DIRECTION	1				L(22.1") L(22.1")
7	63V-42537-00	BUSHING, PIVOT SHAFT COUSSINET	1				
8	90386-30048	BUSH DOUILLE	1				
9	93210-29M94	O-RING JOINT TORIQUE	1				
10	90386-30M60	BUSH DOUILLE	1				
11	90116-08M54	BOLT, STUD GOUJON	2				
12	68T-44517-00-94	MOUNT RUBBER SILENT-BLOC	1				
13	68T-44526-00	PLATE PLAQUE	1				
14	95380-08600	NUT ECROU	2				
15	97075-06025	BOLT BOULON	2				
16	92995-06600	WASHER RONDELLE	2				
17	68T-44551-00-4D	HOUSING, LOWER MOUNT RUBBER BOITIER, SILENT-BLOC INFÉRIEUR	2				
18	60R-G4557-00	MOUNT DAMPER, LOWER FRONT SILENT-BLOC, INFÉRIEUR AVANT	1				
19	60R-G4555-00	MOUNT DAMPER, LOWER SIDE SILENT-BLOC, INFÉRIEUR LATÉRAL	2				
20	90119-06012	BOLT, WITH WASHER BOULON, AVEC RONDELLE	2				
21	90119-06013	BOLT, WITH WASHER BOULON, AVEC RONDELLE	2				
22	90179-06M28	NUT ECROU	4				



FIG. 21 OIL PAN

VENTILATEUR D'HUILE



60N3100-F230

REF. NO.	PART NO. N° PIECES	DESCRIPTION DESCRIPTION	60R6				REMARKS REMARQUES
1	60R-G1137-00-94	GUIDE, EXHAUST COLLECTEUR D'ECHAPPEMENT	1				
2	60S-G2717-00	RUBBER, SEAL 2 JOINT EN CAOUTCHOUC 2	1				
3	60R-G5181-00	PLATE PLAQUETTE	1				
4	97095-08014	BOLT BOULON	1				
5	90430-08800	GASKET JOINT	1				
6	93101-12M70	OIL SEAL JOINT SPY	1				
7	68T-13421-01	STRAINER 2 FILTRE 2	1				
8	90467-11M08	CLIP JONC	1				
9	6G8-11575-00	RELIEF VALVE ASSY SOUPAPE DE RENTREE D'AIR	1				
10	93210-12M62	.O-RING .JOINT TORIQUE	1				
11	93606-19M23	PIN, DOWEL GOUPILLE	2				
12	60R-E5311-00-5B	OIL PAN VENTILATEUR D'HUILE	1				
13	6H1-11372-00	.NIPPLE, HOSE .RACCORD, TUYAU	1				
14	90340-10M10	PLUG, STRAIGHT SCREW PLOT, FILETE DROIT	1				
15	90430-10M11	GASKET JOINT	1				
16	60R-E5316-00	DAMPER 1 AMORTISSEUR 1	1				
17	68T-15317-00	SPACER, ENGINE MOUNT ENTRETOISE DE SUPPORT	1				
18	97885-05008	SCREW, PAN HEAD VIS, A ENCOCHE	1				
19	68T-13475-00	GASKET JOINT	1				
20	93604-12M07	PIN, DOWEL CLAVETTE	2				
21	90119-08005	BOLT, WITH WASHER BOULON, AVEC RONDELLE	6				
22	97075-08030	BOLT BOULON	2				
23	92995-08600	WASHER RONDELLE	2				
24	68T-15362-00	PLUG, OIL LEVEL PLOT, NIVEAU D'HUILE	1				

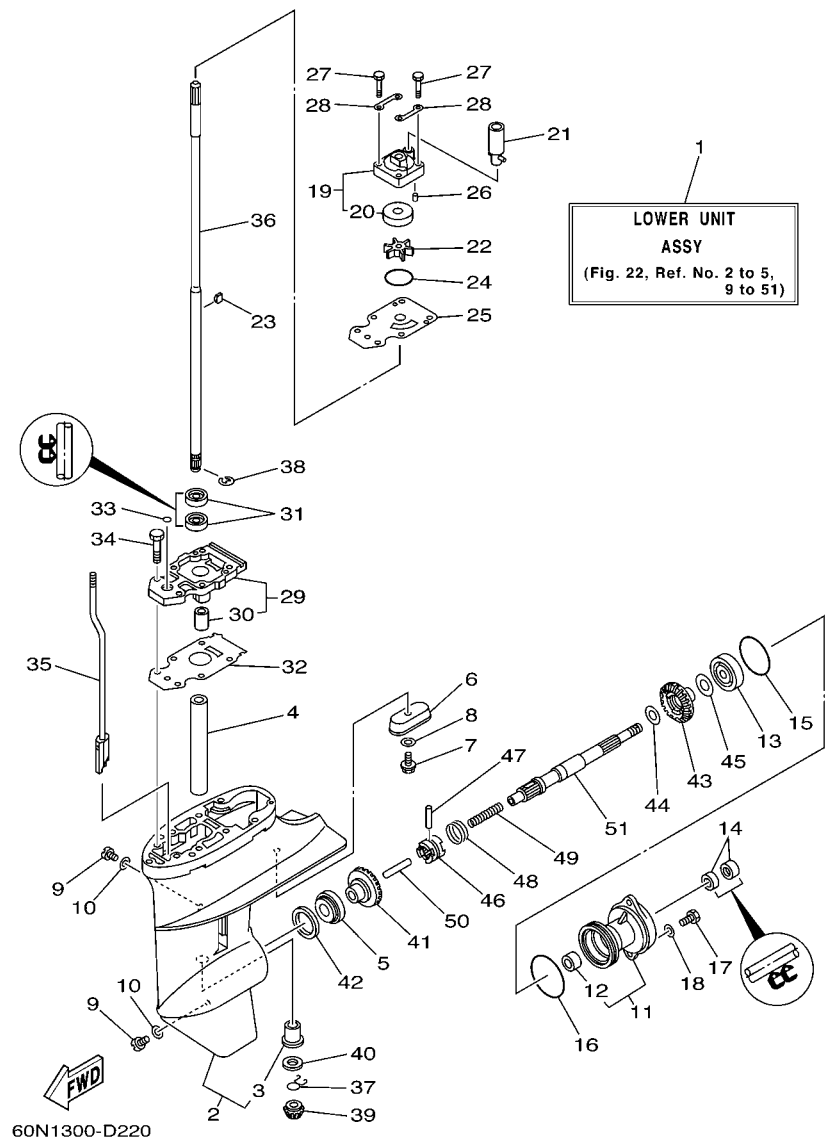


FIG. 22 LOWER CASING & DRIVE 1 BOITIER D'HELICE TRANSMISSION1

REF. NO.	PART NO. N° PIECES	DESCRIPTION DESCRIPTION	60R6				REMARKS REMARQUES
1	60R-G5300-00-4D	LOWER UNIT ASSY UNITE INFÉRIEURE (ENS.)	1				S(17.1") S(17.1")
	60R-G5300-10-4D	LOWER UNIT ASSY UNITE INFÉRIEURE (ENS.)	1				L(22.1") L(22.1")
2	60R-G5311-00-4D	CASING, LOWER BOITIER D'HELICE	1				
3	6G1-45317-09	.BUSHING, DRIVE SHAFT .DOUILLE, ARBRE MOTEUR	1				
4	90387-14M49	COLLAR COLLERETTE	1				
5	93306-004YH	BEARING ROULEMENT	1				
6	68T-45251-00	ANODE ANODE	1				
7	95895-06016	BOLT, FLANGE BOULON	1				
8	92990-06300	WASHER, INTERNAL TOOTH RONDELLE, DENTURE INTERNE	1				
9	90340-08002	PLUG, STRAIGHT SCREW PLOT, FILETE DROIT	2				
10	90430-08020	GASKET JOINT	2				
11	6N0-G5361-00-4D	CAP, LOWER CASING COUVERCLE, BOITIER D'HELICE	1				
12	6G1-45362-09	.BUSHING .COUSSINET	1				
13	93306-004YH	BEARING ROULEMENT	1				
14	93101-15074	OIL SEAL JOINT SPY	2				
15	93210-49046	O-RING JOINT TORIQUE	1				
16	93210-53M08	O-RING JOINT TORIQUE	1				
17	97095-06016	BOLT BOULON	2				
18	92995-06600	WASHER RONDELLE	2				
19	63V-44301-00	WATER PUMP HOUSING COMP. CARTER, POMPE A EAU (ENS.)	1				
20	63V-44322-00	.INSERT, CARTRIDGE .CUVETTE	1				
21	68T-44366-00	DAMPER, WATER SEAL JOINT, TUBE D'EAU	1				
22	68T-44352-00	IMPELLER TURBINE	1				
23	664-44338-00	KEY, WOODRUFF CLAVETTE, VOLANT	1				
24	93210-44398	O-RING JOINT TORIQUE	1				
25	68T-44323-00	OUTER PLATE, CARTRIDGE PLAQUE EXTERIEURE	1				
26	93604-12M07	PIN, DOWEL CLAVETTE	2				

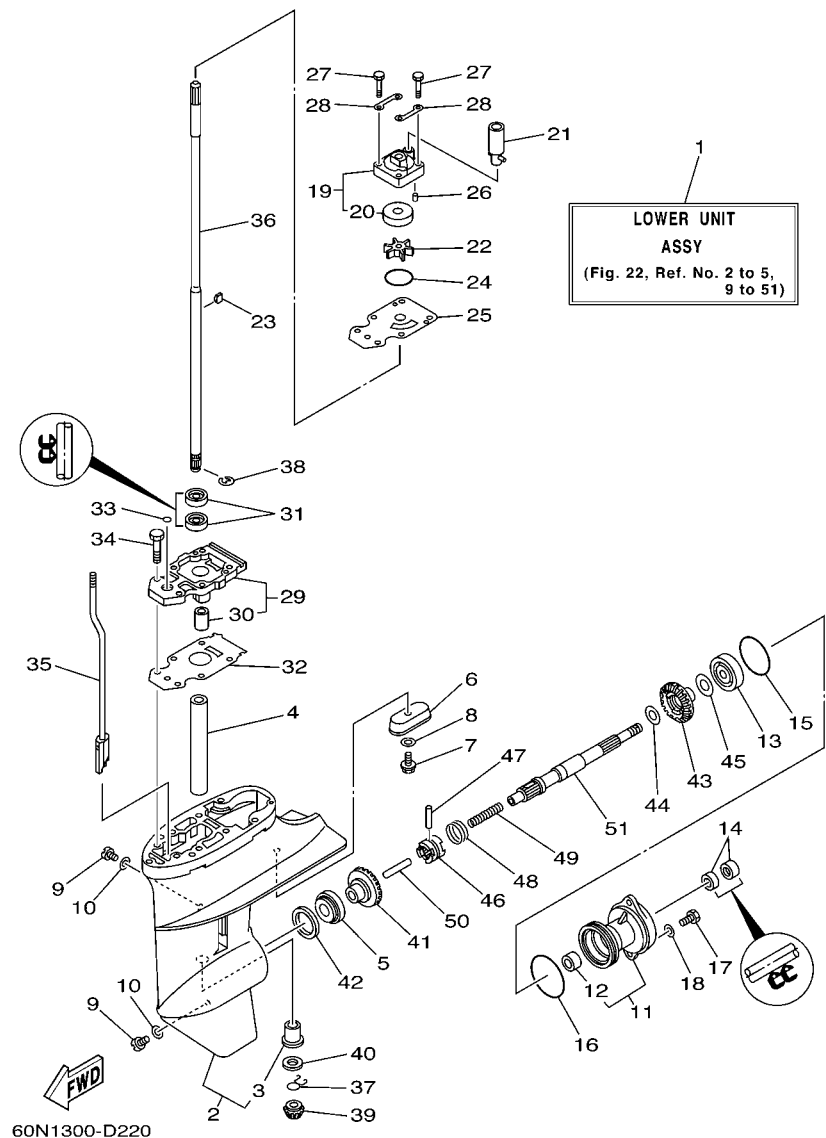
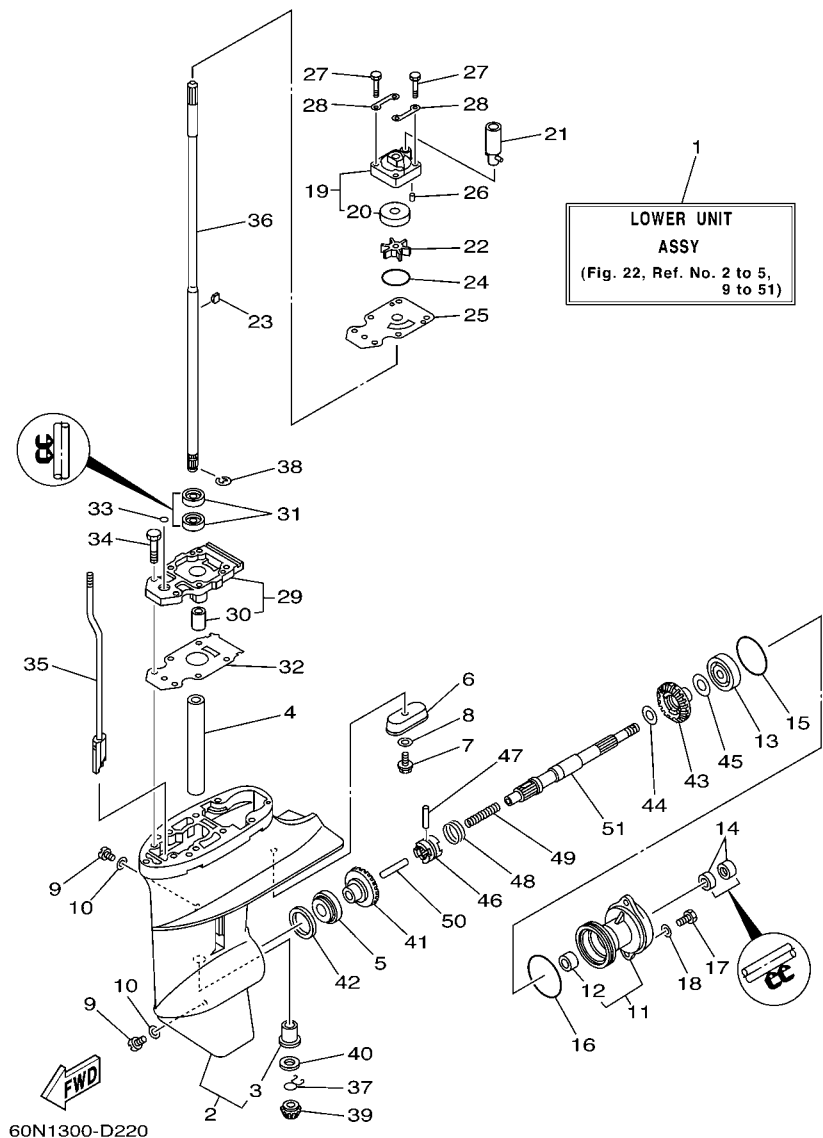


FIG. 22 LOWER CASING & DRIVE 1 BOITIER D'HELICE TRANSMISSION1

REF. NO.	PART NO. N° PIECES	DESCRIPTION DESCRIPTION	60R6				REMARKS REMARQUES
27	97080-08045	BOLT BOULON	4				
28	63V-44328-00	PLATE PLAQUETTE	2				
29	60R-G5331-00-5B	HOUSING, BEARING FLASQUE, ROULEMENT	1				
30	6G1-45316-09	.BUSHING, DRIVE SHAFT .DOUILLE, ARBRE MOTEUR	1				
31	93101-11M23	OIL SEAL JOINT SPY	2				
32	68T-45315-A0	PACKING, LOWER CASING JOINT, BOITIER D'HELICE	1				
33	93210-06ME6	O-RING JOINT TORIQUE	1				
34	97080-08025	BOLT BOULON	2				
35	60R-G4150-00	SHIFT CAM ASSY CAME D'INVERSION	1				
36	60R-G5511-00	SHAFT, DRIVE ARBRE, MOTEUR	1				S(17.1")
	60R-G5511-10	SHAFT, DRIVE ARBRE, MOTEUR	1				S(17.1") L(22.1") L(22.1")
37	90467-09M05	CLIP JONC	1				
38	99001-07600	CIRCLIP CIRCLIP	1				
39	6N0-G5551-A0	PINION (13T) PIGNON D'ATTAQUE (13D)	1				
40	6G1-45533-00	SHIM (T:1.90MM) CALE (T:1.90MM)	1				UR
	6G1-45533-10	SHIM (T:2.00MM) CALE (T:2.00MM)	1				UR
	6G1-45533-20	SHIM (T:2.10MM) CALE (T:2.10MM)	1				UR
	6G1-45533-30	SHIM (T:2.20MM) CALE (T:2.20MM)	1				UR
41	60R-G5560-00	GEAR 1 (27T) PIGNON 1 (27T)	1				
42	664-45587-01	SHIM (T:0.10MM) CALE (T:0.10MM)	1				UR
	664-45587-10	SHIM (T:0.12MM) CALE (T:0.12MM)	1				UR
	664-45587-20	SHIM (T:0.15MM) CALE (T:0.15MM)	1				UR
	664-45587-30	SHIM (T:0.18MM) CALE (T:0.18MM)	1				UR
	664-45587-40	SHIM (T:0.30MM) CALE (T:0.30MM)	1				UR
	664-45587-50	SHIM (T:0.40MM) CALE (T:0.40MM)	1				UR
	664-45587-60	SHIM (T:0.50MM) CALE (T:0.50MM)	1				UR
43	60R-G5571-00	GEAR 2 (27T) PIGNON 2 (27T)	1				

FIG. 22 LOWER CASING & DRIVE 1

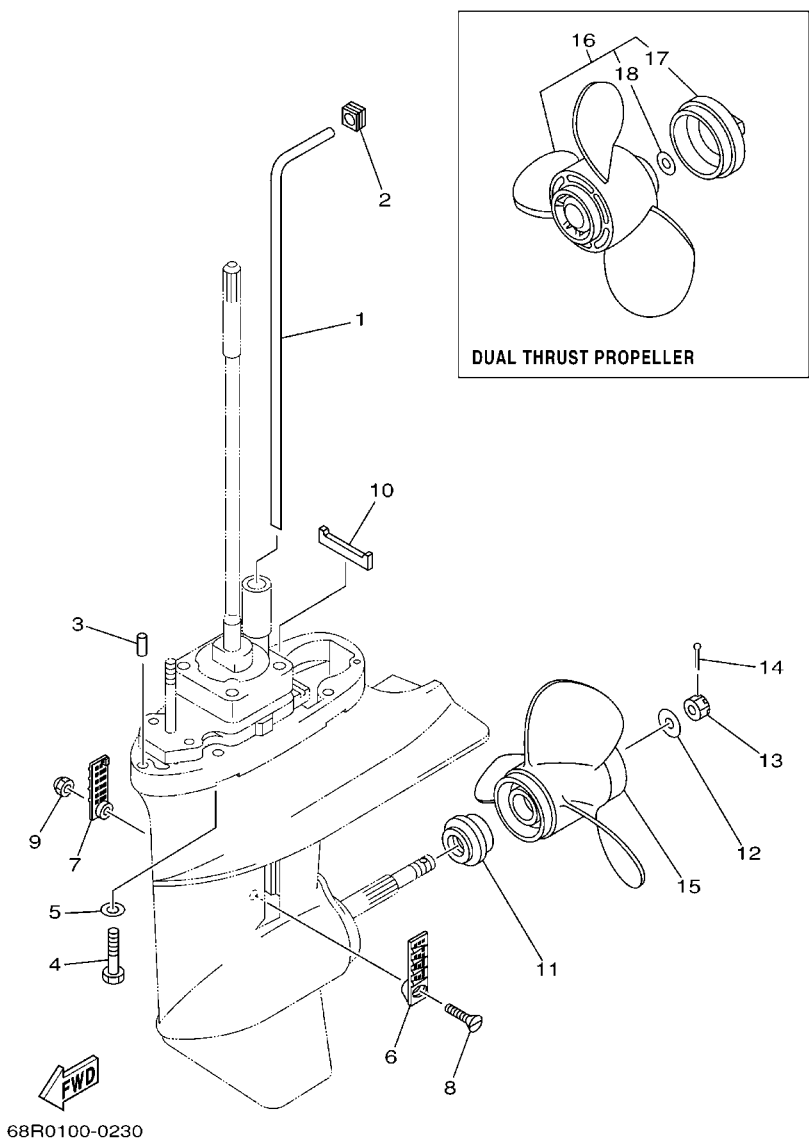
BOITIER D'HELICE TRANSMISSION1



REF. NO.	PART NO. N° PIECES	DESCRIPTION DESCRIPTION	60R6				REMARKS REMARQUES
44	90201-15M89	WASHER, PLATE RONDELLE, PLATE	1				
45	647-45567-00	SHIM (T:0.10MM) CALE (T:0.10MM)	1				UN
46	68T-45631-00	CLUTCH, DOG CRABOT	1				UN
47	6G1-45632-00	PIN, CROSS GOUPILLE DE CRABOT	1				
48	654-45633-00	RING, CROSS PIN JONC, GOUPILLE CRABOT	1				
49	90501-12M05	SPRING, COMPRESSION RESSORT, COMPRESSION	1				
50	6G1-45635-00	PLUNGER, SHIFT POUSSOIR D'EMBRAYAGE	1				
51	68T-45611-00	SHAFT, PROPELLER ARBRE, HELICE	1				

FIG. 23 LOWER CASING & DRIVE 2

BOITIER D'HELICE TRANSMISSION2



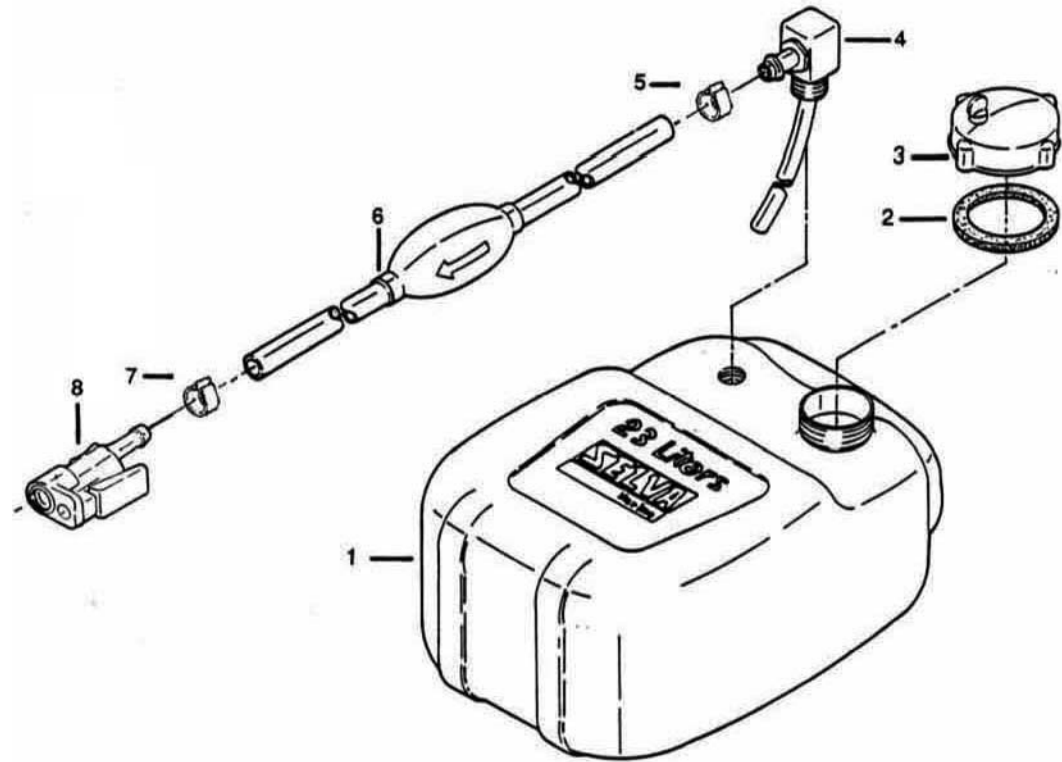
68R0100-0230

REF. NO.	PART NO. N° PIECES	DESCRIPTION DESCRIPTION	60R6				REMARKS REMARQUES
1	68T-44361-00	TUBE, WATER TUBE D'EAU	1				S(17.1") S(17.1")
	68T-44361-10	TUBE, WATER TUBE D'EAU	1				L(22.1") L(22.1")
2	63V-44365-10	DAMPER, WATER SEAL JOINT, TUBE D'EAU	1				
3	93604-12M07	PIN, DOWEL CLAVETTE	2				
4	97075-08035	BOLT BOULON	4				
5	92995-08600	WASHER RONDELLE	4				
6	6G1-45214-00	COVER, WATER INLET 1 GRILLE, ENTREE D'EAU 1	1				
7	6G1-45215-00	COVER, WATER INLET 2 GRILLE, ENTREE D'EAU 2	1				
8	90152-05M03	SCREW, COUNTERSUNK VIS, TETE NOYEE	1				
9	90185-05002	NUT, NYLON ECROU, AUTO-BLOQUANT	1				
10	63V-45375-00	DAMPER, SEAL BOURRELET, CAOUTCHOUC	1				
11	6N0-G5987-10	SPACER ENTRETOISE	1				
12	90201-10M01	WASHER, PLATE RONDELLE, PLATE	1				
13	90171-10M01	NUT, CASTLE ECROU, CRENELE	1				
14	91490-30020	PIN, COTTER GOUPILLE	1				
15	6G1-45941-00-EL	PROPELLER (3X8-1/2"X8-1/2"-N) HELICE (3X8-1/2"X8-1/2"-N)	1				UR
	6G1-45943-00-EL	PROPELLER (3X8-1/2"X7-1/2"-N) HELICE (3X8-1/2"X7-1/2"-N)	1				UR
	6G1-45947-00-EL	PROPELLER (3X8-1/2"X6-1/2"-N) HELICE (3X8-1/2"X6-1/2"-N)	1				UR
	6G1-45952-00-EL	PROPELLER (3X8-1/2"X8"-N) HELICE (3X8-1/2"X8"-N)	1				UR
16	6G1-W4591-01-EL	PROPELLER (3X9"X7"-N) HELICE (3X9"X7"-N)	1				UR
	6G1-W4592-00-EL	PROPELLER (3X9"X5"-N) HELICE (3X9"X5"-N)	1				UR
17	6G1-45616-01	.NUT, PROPELLER .CONE, HELICE	1				
18	90201-10M02	.WASHER, PLATE .RONDELLE, PLATE	1				

FIG. 26 FUEL TANK 12 L

RESEVOIR A ESSENCE 12 L

REF. NO.	PART NO. NO. PIECES	DESCRIPTION DESCRIPTION					REMARKS REMARQUES
1	8085070	COMPLETE FUEL TANK 12 L RESEVOIR A ESSENCE (ENS.) 12 L				1	
2	3540275	GASKET JOINT				1	
3	1598845	FUEL TANK PLUG (POS. NO 2+3) BOUCHON (ENS.) (POS. 2+3)				1	
4	8055075	COMPLETE FUEL SUCTION DURITE DE SUCCION				1	
5	7080500	CLAMP COLLIER				1	
6	8050270	FUEL HOSE DURITE A ESSENCE				1	
7	7080490	CLAMP COLLIER				1	
8	6G1-24305-01	FUEL CONNECTOR - FEMALE DURITE RACCORDMENT A ESSENCE				1	
	1575260	FUEL TANK WITH PIPE RESEVOIR A ESSENCE + DURITE				1	
	1581280	COMPLETE PIPE (POS.NO. 5+6+7) DURITE A ESSENCE (ENS) (POS. 5+6+7)				1	





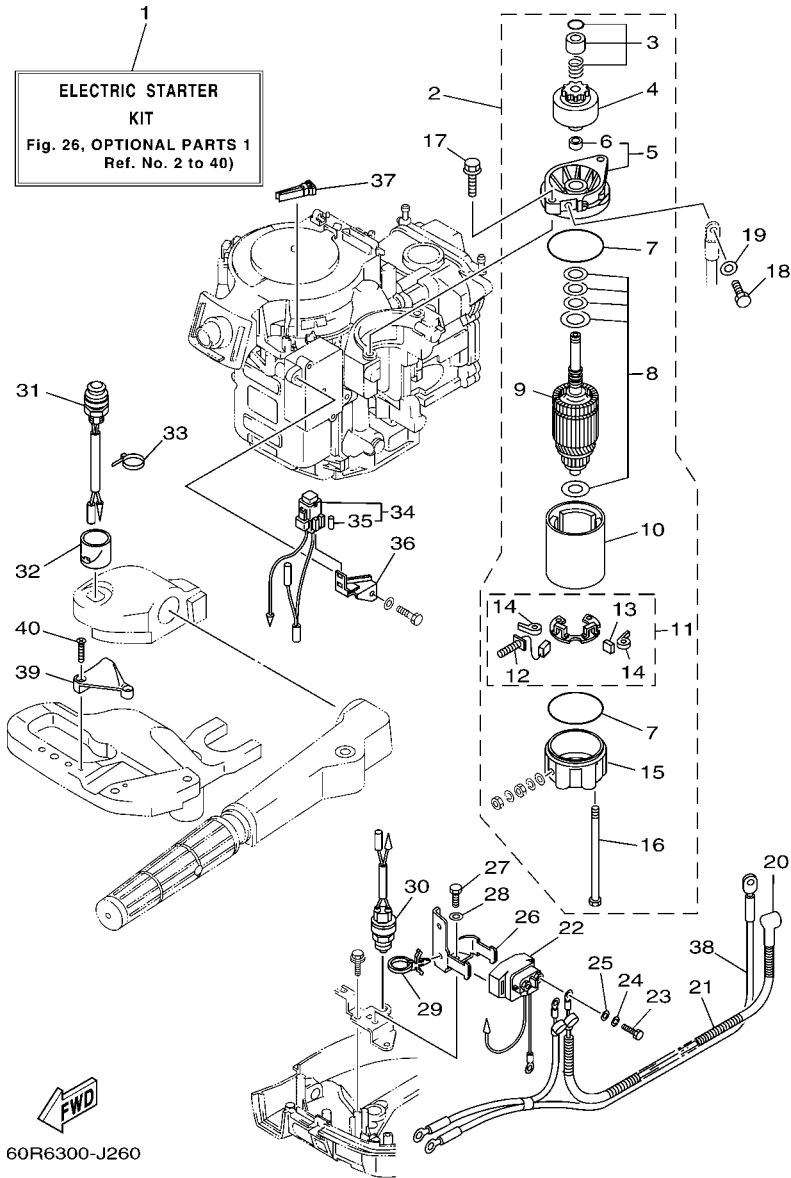


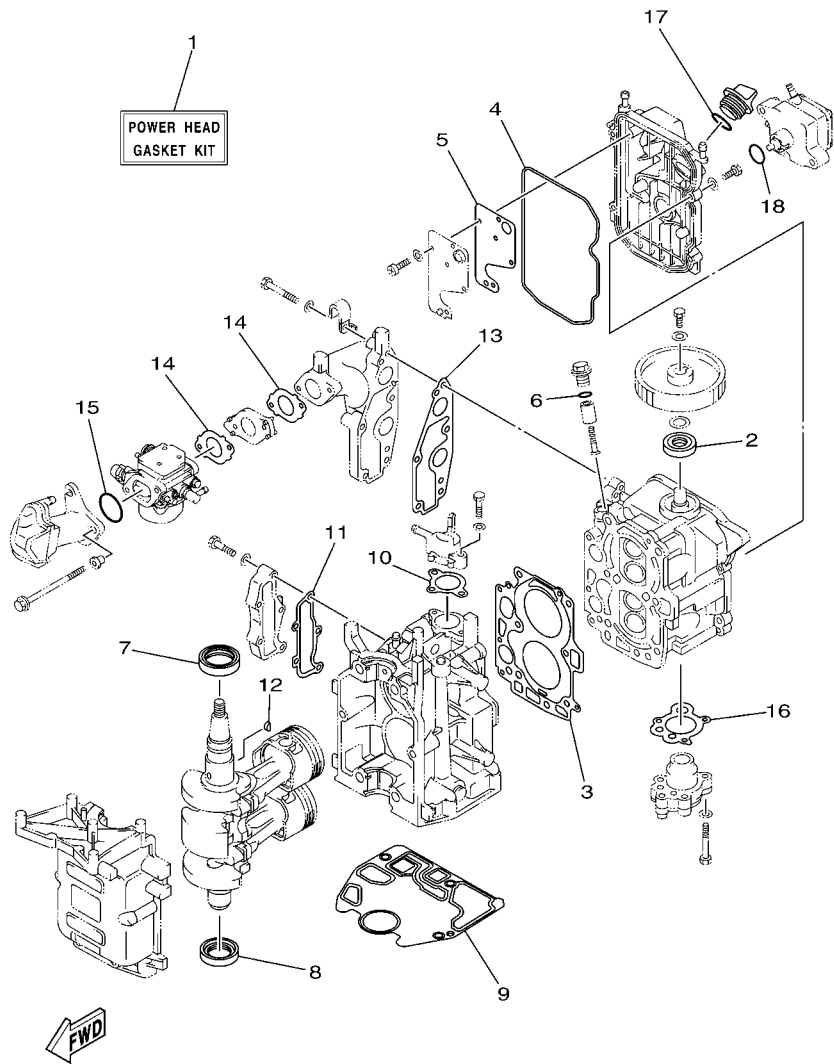
FIG. 26 OPTIONAL PARTS 1

PIECES OPTIONNELLES 1

REF. NO.	PART NO. N° PIECES	DESCRIPTION DESCRIPTION	60R6				REMARKS REMARQUES
1	68R-W8180-00	ELECTRIC STARTER KIT KIT DEMARREUR ELECTRIQUE	1				AP AP
2	68T-81800-00	STARTING MOTOR ASSY DEMARREUR ELECTRIQUE COMPLET	1				
3	68T-81857-00	.RETAINER .ARRETOIR	1				
4	689-81807-12	.GEAR ASSY, STARTING MOTOR .PIGNON, DEMARREUR ELECTRIQUE	1				
5	6F5-81830-10	.FRONT BRACKET ASSY .SUPPORT AVANT	1				
6	689-81831-00	..METAL, FRONT ..METAL, AVANT	1				
7	689-81847-11	.O-RING .JOINT TORIQUE	2				
8	689-81809-11	.WASHER KIT .JEU DE RONDELLES	1				
9	689-81850-11	.ARMATURE ASSY .INDUIT	1				
10	689-81810-11	.STATOR ASSY .STATOR COMPLET	1				
11	689-81840-11	.BRUSH HOLDER ASSY .SUPPORT DE CHARBON	1				
12	689-81811-11	..BRUSH 1 ..CHARBON 1	1				
13	689-81812-11	..BRUSH 2 ..CHARBON 2	1				
14	689-81813-10	..SPRING, BRUSH ..RESSORT, DE CHARBON	2				
15	689-81820-11	.REAR BRACKET ASSY .SUPPORT ARRIERE COMPLET	1				
16	689-81826-10	.BOLT .BOULON	2				
17	90119-08M76	BOLT, WITH WASHER BOULON, AVEC RONDELLE	2				
18	97095-08016	BOLT BOULON	1				
19	92995-08600	WASHER RONDELLE	1				
20	6G8-82117-00	WIRE, LEAD FIL	1				
21	90446-10M86	HOSE (L140) DURITE (L140)	1				
22	68T-81940-00	STARTER RELAY ASSY LANCEUR RELAIS (ENS.)	1				
23	97095-06010	BOLT BOULON	2				
24	92995-06100	WASHER, SPRING RONDELLE, GROWER	2				
25	92995-06600	WASHER RONDELLE	2				
26	68T-81945-01	PLATE, SWITCH FITTING PLAQUE, FIXATION DU RELAIS	1				
27	97095-06012	BOLT BOULON	1				







60N4300-G290

FIG. 28 REPAIR KIT 1

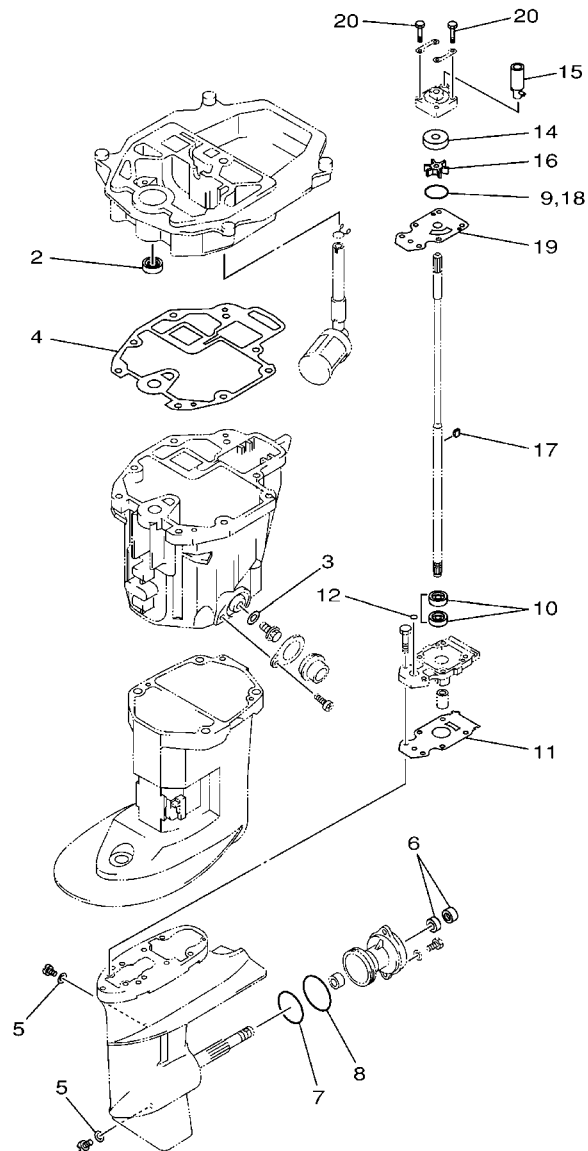
KITS DE REPARATION 1

REF. NO.	PART NO. N° PIECES	DESCRIPTION DESCRIPTION	60R6				REMARKS REMARQUES
1	68T-W0001-00	POWER HEAD GASKET KIT POCHETTE DE JINTS TETE MOTRICE	1				
2	93102-18M21	.OIL SEAL .JOINT SPY	1				
3	68T-11181-00	.GASKET, CYLINDER HEAD 1 .JOINT, DE CULASSE 1	1				
4	68T-11356-00	.SEAL, CYLINDER 2 .JOINT, SPY CYLINDRE	1				
5	68T-11169-A0	.GASKET, BREATHER COVER .JOINT, COUVERCLE DE RENIFLARD	1				
6	93210-13M63	.O-RING .JOINT TORIQUE	1				
7	93102-30M22	.OIL SEAL .JOINT SPY	1				
8	93101-25M69	.OIL SEAL .JOINT SPY	1				
9	68T-11351-00	.GASKET, CYLINDER .JOINT, D'EMBASE	1				
10	60R-E2414-A0	.GASKET, COVER .JOINT, COUVERCLE	1				
11	68T-41114-A0	.GASKET, EXHAUST OUTER COVER .JOINT, COUVERCLE D'ECHAPPEMENT	1				
12	90280-03M01	.KEY, WOODRUFF .CLAVETTE, DEMI-LUNE	1				
13	68T-13645-00	.GASKET, MANIFOLD 1 .JOINT, TUBULURE 1	1				
14	60R-E3646-A0	.GASKET, MANIFOLD 2 .JOINT, TUBULURE 2	2				
15	93210-31MJ5	.O-RING .JOINT TORIQUE	1				
16	68T-13329-00	.GASKET, PUMP COVER .JOINT, COUVERCLE DE POMPE	1				
17	93210-24M79	.O-RING .JOINT TORIQUE	1				
18	93210-20M65	.O-RING .JOINT TORIQUE	1				



FIG. 30 REPAIR KIT 3

KITS DE PERAPATION 3



REF. NO.	PART NO. N° PIECES	DESCRIPTION DESCRIPTION	60R6				REMARKS REMARQUES
1	68T-W0001-20	LOWER UNIT GASKET KIT POCHETTE DE JOINTS EMBASE	1				
2	93101-12M70	.OIL SEAL .JOINT SPY	1				
3	90430-10M11	.GASKET .JOINT	1				
4	68T-13475-00	.GASKET .JOINT	1				
5	90430-08020	.GASKET .JOINT	2				
6	93101-15074	.OIL SEAL .JOINT SPY	2				
7	93210-49046	.O-RING .JOINT TORIQUE	1				
8	93210-53M08	.O-RING .JOINT TORIQUE	1				
9	93210-44398	.O-RING .JOINT TORIQUE	1				
10	93101-11M23	.OIL SEAL .JOINT SPY	2				
11	68T-45315-A0	.PACKING, LOWER CASING .JOINT, BOITIER D'HELICE	1				
12	93210-06ME6	.O-RING .JOINT TORIQUE	1				
13	68T-W0078-00	WATER PUMP REPAIR KIT KIT DE REPARATION DE LA POMPE	1				
14	63V-44322-00	.INSERT, CARTRIDGE .CUVETTE	1				
15	68T-44366-00	.DAMPER, WATER SEAL .JOINT, TUBE D'EAU	1				
16	68T-44352-00	.IMPELLER .TURBINE	1				
17	664-44338-00	.KEY, WOODRUFF .CLAVETTE, VOLANT	1				
18	93210-44398	.O-RING .JOINT TORIQUE	1				
19	68T-44323-00	.OUTER PLATE, CARTRIDGE .PLAQUE EXTERIEURE	1				
20	97080-08045	.BOLT .BOULON	4				